

HIGH-CAPACITY IC CUSHION



18000 - 22000 LBS.

SPECIFICATIONS



THDC1800-2200B-24 | THDC1800-36

CLASS
4

INTERNAL COMBUSTION ENGINE CUSHION TIRE

ToyotaForklift.com

HIGH-CAPACITY IC CUSHION

CAPACITY
18000 - 22000 LBS.

WHEELBASE
80 IN.

LOAD CENTER
24 - 36 IN.

INDUSTRIES



Steel/Metals



Factory



General
Manufacturing



General
Warehousing



Paper



Retail



Distribution

STANDARD FEATURES

DURABILITY

- Large drum-type brakes
- Heavy duty planetary drive axle rated for durability in high-capacity applications
- Rigidly constructed, welded frame
- Built-in engine protection system
- Heavy duty extruded and rolled mast rails
- Class V ITA carriage with six roller support and side thrust rollers
- 12 volt electrical system
- 2 stage wide visible mast (V)
- Hook-type forks

SUPPORT

- Electrical horn
- Asbestos free components
- Neutral safety switch
- Bolt-on overhead guard
- Operator Restraint System seat
- Orange forks
- Spring-applied/hydraulic release parking brake
- Operator Presence Sensing System (OPSS)

PERFORMANCE

- PSI 4.3L V6 engine (LP)
- Dana model 12000 transmission
 - 3FWD/3REV speed automatic
- 2-function hydraulic control valve (lift/tilt)
- Full hydraulic power steering
- Independent brake & declutch pedals
- Load-sensing "on-demand" hydraulic system
- Lift and lashing points
- Engine management system
 - Regulates fuel delivery
 - Governs speed
 - Controls ignition
 - Regulates fuel delivery
 - Overheat protection
 - Maintains RPM during hydraulic functions
- Illuminated digital instrument display
 - Fuel gauge
 - Engine pressure gauge
 - Transmission temperature
 - Battery charge warning light
 - Service meter warning
 - Engine temperature gauge

ERGONOMICS

- Mast-mounted LED Headlights (2)
- LED rear combination lights (2)
- Hood-mounted hydraulic controls
- Tilt steering column
- 2.75 turn lock-to-lock steering wheel
- Left-hand shift lever
- Hood-mounted clipboard
- Vinyl adjustable semi-suspension seat
- Hand-actuated, disc-type parking brake
- Low-height non-skid steps
- Cup holder

SERVICEABILITY

- Easy-access filters
- Hydraulic multi-gauge
- Easy-access service panels (left, right, and floorboard)
- Flip-up hood
- Wires enclosed in split tube wire loom wrap
- Sealed weatherpack connectors
- Fully sealed headlights and auxiliary lights
- Low chassis side plate allows easy access to the drive train

OPTIONAL EQUIPMENT

MASTS

- Wide Visible Mast (V)
- Full-Free Lift Two-Stage Mast (FV)
- Full-Free Lift Three-Stage Mast (FSV)

POWERTRAIN

- Pre-cleaner
- Engine Block Heater

CHASSIS OPTIONS

- Counterweight Towpin
- Bellypan Kit

CARRIAGE

- Carriage Bumper Blocks
- Integral Side Shifting Fork Positioner
- Hang-on Sideshifter
- Hang-on Fork Positioner
- Hang-on Side Shifting Fork Positioner
- Tilt Control (Forward)
- Tilt Control (Rearward)
- Tilt Control (Forward and Rearward)

- Tilt Level Indicator
- Polypad, Forks

TIRE/WHEEL

- Lugged Rubber Drive Tires
- Non-Marking Rubber Drive Tires
- Poly Drive Tires
- High-Load Poly Drive Tires
- Vulkollan Drive Tires
- Non-Marking Rubber Steer Tires
- Rubber Steer Tires
- High-Load Poly Steer Tires
- Vulkollan Steer Tires

CAB/CONTROLS

- Air Conditioning
- Heater
- Cab w/ Steel Doors
- Front Wiper/Washer
- Rear Wiper/Washer
- Black Seatbelt with Switch
- Orange Seatbelt
- Orange Seatbelt with Switch
- Cloth Semi-Suspension Seat
- Air Ride Seat
- Steering Wheel w/ Knob
- Lexan, Front
- Lexan, Top
- Lexan, Rear
- Glass, Front
- Glass, Top
- Glass, Rear
- Operator Compartment Fan
- Electrical Controls
- Hydraulic Controls
- Rear View Mirrors

LIGHTS/ALARMS

- Amber Strobe Light
- Blue Strobe Light
- Red Strobe Light
- Clear Strobe Light
- Amber Strobe Light (Additional)
- Blue Strobe Light (Additional)
- Red Strobe Light (Additional)
- Clear Strobe Light (Additional)
- Strobe Light Guard
- Forward Facing Blue Light*
- Rear Facing Blue Light*
- Forward & Rear Facing Blue Light*
- Forward Facing Red Light*
- Rear Facing Red Light*
- Forward & Rear Facing Red Light*
- Side Mount 'Red Zone' Pedestrian Light
- Turn Signal Light Kit
- Single Forward Facing LED Worklight (Additional)
- Single Rear Facing LED Worklight
- Extra Work Lights- LED Forward Facing (pair)
- Extra Work Lights- LED Rearward Facing (pair)

HYDRAULIC

- Low Nitrogen Warning System, Steer/Brake Accumulator
- Lift Accumulator
- Tilt Accumulator

INDICATORS & MISC.

- Swing Out LP Tank Bracket
- Rear Pillar Assist Grip w/ Horn Button
- Forward Camera System Visibility Aid
- Rear Camera System Visibility Aid
- Dual Camera System Visibility Aid
- Overload Warning System
- 5 lb. Fire Extinguisher
- Back-up Alarm

* Key Switch Activated.
Not all options are available together or available on all models.
Please contact your local, authorized Toyota Dealer for a complete list of available options.

TRUCK SPECIFICATIONS

MODEL NUMBERS

GENERAL DATA				THDC1800-24	THDC2200-24
Load Capacity	lb (kg)			18000 (8165)	22000 (9979)
Load Center	in (mm)			24 (610)	24 (610)
Power Type			LP		LP
Operator Position			Seated Rider / Center Seat		Seated Rider / Center Seat
Tire Type	Front/Rear			Cushion / Cushion	
Wheels (x = driven)	Front / Rear			2x / 2	
EXTERIOR DIMENSIONS				THDC1800-24	THDC2200-24
A Maximum Fork Height (top of forks)	in (mm)			118.40 (3007.4)	98.82 (2510.0)
B Free Lift (top of forks)	in (mm)			0 (0)	0 (0)
C Fork Size (T x W x L)	in (mm)			2.50 (63.5) x 6.0 (152.4) x 48 (1219)	3.00 (76.2) x 7.00 (177.8) x 48 (1219)
D Fork Spread Max. / Min. (outer edge to edge) ¹	in (mm)			49.31 (1252.4) / 14.66 (372.4)	50.31(1277.9)/15.66(397.8)
E Tilt Range (forward / backward)	deg			6/8	6/8
F Length to Fork Face	in (mm)			131.91 (3350.5)	135.76 (3448.3)
G Overall Width	in (mm)			60.72 (1542.3)	60.72 (1542.3)
H Mast Lowered Height	in (mm)			98.0 (2489.2)	98.00 (2489.2)
I Mast Extended Height (top of load backrest)	in (mm)			166.03 (4217.2)	156.13 (3965.7)
J Overhead Guard Height	in (mm)			88.98 (2260.1)	88.98 (2260.1)
K Turning Radius (outside)	in (mm)			115.72 (2939.3)	118.50 (3009.9)
L Load Distance ²	in (mm)			24.95 (633.7)	25.80 (655.3)
M Basic Right-Angle Stacking Aisle Width ³	in (mm)			140.67+Load (3573.0+Load)	144.30+Load (3665.2+Load)
PERFORMANCE DATA				THDC1800-24	THDC2200-24
Speeds	Maximum Travel (fwd. / rev.)	Full Load	mph (km/h)	14.3 (23.0)	14.3 (23.0)
		No Load	mph (km/h)	14.3 (23.0)	14.3 (23.0)
	Lifting	Full Load	fpm (mm/sec)	50 (254)	46 (234)
		No Load	fpm (mm/sec)	68 (345)	64 (325)
	Lowering	Full Load	fpm (mm/sec)	45 (229)	41 (208)
		No Load	fpm (mm/sec)	39 (198)	35 (178)
Drawbar Pull	Maximum	Full Load	lb (kg)	13230 (58.8)	13102 (58.3)
		No Load	lb (kg)	6972 (31.0)	7626 (33.9)
Gradeability @ .9 Coef*	Maximum	Full Load	%	30.5	25.2
		No Load	%	53.1	44.9
TRUCK WEIGHTS				THDC1800-24	THDC2200-24
Total Weight (empty)		lb (kg)		25400 (11521)	29900 (13562)
Weight Distribution	Full Load	Front	lb (kg)	40650 (18438)	48460 (21981)
		Rear	lb (kg)	2750 (1247)	3440 (1560)
	No Load	Front	lb (kg)	11620 (5271)	12710 (5765)
		Rear	lb (kg)	13780 (6250)	17190 (7797)
TIRES				THDC1800-24	THDC2200-24
Tires	Number (front / rear)			2/2	2/2
	Size (OD x W x ID)	Front		28 X 14 X 22	28 X 14 X 22
Rear			22 X 8 X 16	22 X 8 X 16	
N Wheelbase		in (mm)		80 (2032)	80 (2032)
Tread Width	Q Front	in (mm)		46.25 (1174.8)	46.25 (1174.8)
	P Rear	in (mm)		47.82 (1214.6)	47.82 (1214.6)
Underclearance (full load)	Q Minimum with Load	in (mm)		3.80 (96.5)	3.80 (96.5)
	R Center of Wheelbase	in (mm)		4.30 (109.2)	4.30 (109.2)
Brake	Service (foot) / Parking			Hydraulic/Mechanical	Hydraulic/Mechanical
POWER SYSTEM				THDC1800-24	THDC2200-24
Internal Combustion Engine	Make / Model			PSI V6 4.3L	PSI V6 4.3L
	Rated Horsepower @ rpm	SAE HP		110 @ 2400	110 @ 2400
	Rated Torque @ rpm	SAE ft-lb		230 @ 2400	230 @ 2400
	Number of Cylinders			6	6
Transmission	Type			POWERSHIFT (Autoshift)	POWERSHIFT (Autoshift)
	Speeds (forward / reverse)			3 / 3	3 / 3
Auxiliary Hydraulic Function Specifications (for attachments) ⁴	Max. Operating Pressure	psi (kg/cm ²)		2250 (158.2)	2250 (158.2)
	Max. Flow Rate	gpm (lpm)		26.4 (100)	26.4 (100)

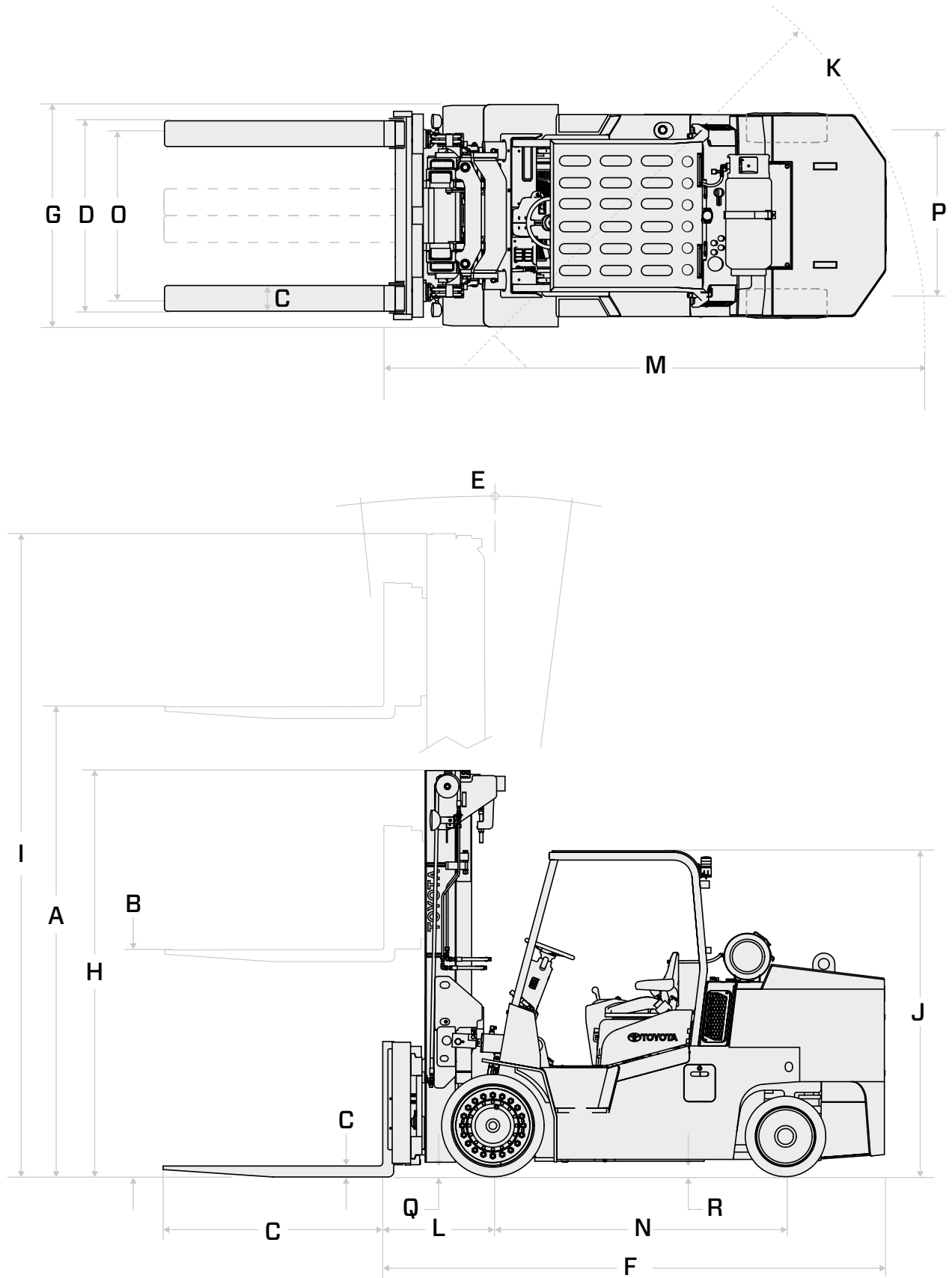
* Computed values.
 1 Measured with standard forks.
 2 Centerline of front axle to front face of forks.
 3 Add load length and clearance.
 4 Values taken at hydraulic control valve. Does not take into consideration losses through mast plumbing (hosing, fittings, QD's, etc.).

MODEL NUMBERS

GENERAL DATA				THDC2200B-24 ⁵	THDC1800-36
Load Capacity	lb (kg)			22000 (9979)	18000 (8165)
Load Center	in (mm)			24 (610)	36 (914)
Power Type				LP	LP
Operator Position				Seated Rider / Center Seat	Seated Rider / Center Seat
Tire Type	Front/Rear			Cushion / Cushion	Cushion / Cushion
Wheels (x = driven)	Front / Rear			2x / 2	2x / 2
EXTERIOR DIMENSIONS				THDC2200B-24 ⁵	THDC1800-36
A Maximum Fork Height (top of forks)	in (mm)			98.82 (2510.0)	98.82 (2510.0)
B Free Lift (top of forks)	in (mm)			0 (0)	0 (0)
C Fork Size (T x W x L)	in (mm)			3.00 (76.2) X 7.00 (177.8) X 48 (1219)	3.00 (76.2) X 7.00 (177.8) X 72 (1828.8)
D Fork Spread Max. / Min. (outer edge to edge) ¹	in (mm)			50.31(1277.9)/15.66(397.8)	50.31(1277.9) / 15.66(397.8)
E Tilt Range (forward / backward)	deg			6/8	6/8
F Length to Fork Face	in (mm)			123.83 (3145.3)	135.76 (3448.3)
G Overall Width	in (mm)			60.72 (1542.3)	60.72 (1542.3)
H Mast Lowered Height	in (mm)			98.00 (2489.2)	98.00 (2489.2)
I Mast Extended Height (top of load backrest)	in (mm)			156.13 (3965.7)	156.13 (3965.7)
J Overhead Guard Height	in (mm)			88.98 (2260.1)	88.98 (2260.1)
K Turning Radius (outside)	in (mm)			107.63 (2733.8)	118.50 (3009.9)
L Load Distance ²	in (mm)			25.80 (655.3)	25.80 (655.3)
M Basic Right-Angle Stacking Aisle Width ³	in (mm)			133.43+Load (3389.1+Load)	144.30+Load (3665.2+Load)
PERFORMANCE DATA				THDC2200B-24 ⁵	THDC1800-36
Speeds	Maximum Travel (fwd. / rev.)	Full Load	mph (km/h)	14.3 (23.0)	14.3 (23.0)
		No Load	mph (km/h)	14.3 (23.0)	14.3 (23.0)
	Lifting	Full Load	fpm (mm/sec)	46 (234)	46 (234)
		No Load	fpm (mm/sec)	64 (325)	64 (325)
	Lowering	Full Load	fpm (mm/sec)	41 (208)	41 (208)
		No Load	fpm (mm/sec)	35 (178)	35 (178)
Drawbar Pull	Maximum	Full Load	lb (kg)	13089 (58.2)	13159 (58.5)
		No Load	lb (kg)	8172 (36.3)	7602 (33.8)
Gradeability @ .9 Coef*	Maximum	Full Load	%	24.8	27.4
		No Load	%	43.6	44.6
TRUCK WEIGHTS				THDC2200B-24 ⁵	THDC1800-36
Total Weight (empty)			lb (kg)	30800 (13971)	30100 (13653)
Weight Distribution	Full Load	Front	lb (kg)	49370 (22394)	44620 (20239)
		Rear	lb (kg)	3430 (1556)	3480 (1578)
	No Load	Front	lb (kg)	13620 (6178)	12670 (5747)
		Rear	lb (kg)	17180 (7792)	17430 ((7906)
TIRES				THDC2200B-24 ⁵	THDC1800-36
Tires	Number (front / rear)			2/2	2/2
	Size (OD x W x ID)	Front		28 X 14 X 22	28 X 14 X 22
Rear			22 X 8 X 16	22 X 8 X 16	
N Wheelbase			in (mm)	80 (2032)	80 (2032)
Tread Width	Q Front		in (mm)	46.25 (1174.8)	46.25 (1174.8)
	P Rear		in (mm)	47.82 (1214.6)	47.82 (1214.6)
Underclearance (full load)	Q Minimum with Load		in (mm)	3.80 (96.5)	3.80 (96.5)
	R Center of Wheelbase		in (mm)	4.30 (109.2)	4.30 (109.2)
Brake	Service (foot) / Parking			Hydraulic/Mechanical	Hydraulic/Mechanical
POWER SYSTEM				THDC2200B-24 ⁵	THDC1800-36
Internal Combustion Engine	Make / Model			PSI V6 4.3L	PSI V6 4.3L
	Rated Horsepower @ rpm	SAE HP		110 @ 2400	110 @ 2400
	Rated Torque @ rpm	SAE ft-lb		230 @ 2400	230 @ 2400
	Number of Cylinders			6	6
Transmission	Type			POWERSHIFT (Autoshift)	POWERSHIFT (Autoshift)
	Speeds (forward / reverse)			3 / 3	3 / 3
Auxiliary Hydraulic Function Specifications (for attachments) ⁴	Max. Operating Pressure	psi (kg/cm ²)		2250 (158.2)	2250 (158.2)
	Max. Flow Rate	gpm (lpm)		26.4 (110)	26.4 (100)

* Computed values.
1 Measured with standard forks.
2 Centerline of front axle to front face of forks.
3 Add load length and clearance.
4 Values taken at hydraulic control valve. Does not take into consideration losses through mast plumbing (hosing, fittings, QD's, etc.).
5 Boxcar Special counterweight.

EXTERIOR DIMENSIONS





MAST SPECIFICATIONS

MAST TYPE	MAXIMUM FORK HEIGHT (TOP OF FORKS)	OVERALL HEIGHT		FREE-LIFT		TILT RANGE		LOAD CAPACITY AT 24 IN. (610 MM) LOAD CENTER	LOAD CAPACITY AT 36 IN. (914 MM) LOAD CENTER
		LOWERED	WITH STANDARD LOAD BACKREST	FWD	BWD				
						in (mm)	in (mm)		
THDC1800-24									
Wide Visible (V)	82.75 (2102)	80 (2032)	0	6	8	18000 (8165)	14450 (6554)		
	93 (2362)	85.25 (2165)	0	6	8	18000 (8165)	14450 (6554)		
	118.4 (3007)	98 (2489)	0	6	8	18000 (8165)	14450 (6554)		
	145.5 (3696)	111.5 (2832)	0	6	8	18000 (8165)	14450 (6554)		
Full Free-Lift 2-Stage (FV)	176.4 (4481)	137 (3490)	0	6	8	TSDR*	TSDR*		
	73.25 (1861)	85.25 (2165)	26.8 (681)	6	8	18000 (8165)	14450 (6554)		
	74 (1880)	88 (2235)	29.5 (749)	6	8	18000 (8165)	14450 (6554)		
	92.7 (2355)	95 (2413)	36.5 (927)	6	8	18000 (8165)	14450 (6554)		
	98.75 (2508)	98 (2489)	39.5 (1003)	6	8	18000 (8165)	14450 (6554)		
	125 (3175)	111.5 (2832)	53 (1346)	6	8	18000 (8165)	14450 (6554)		
	131.69 (3345)	114.5 (2908)	56 (1422)	6	8	18000 (8165)	14450 (6554)		
Full Free-Lift 3-Stage (FSV)	177 (4496)	137 (3480)	78.5 (1994)	6	8	TSDR*	TSDR*		
	200 (5080)	150 (3810)	91.5 (2324)	6	8	TSDR*	TSDR*		
	130 (3302)	83 (2108)	36.9 (937)	6	8	18000 (8165)	14450 (6554)		
	140.5 (3569)	85.5 (2172)	39.4 (1001)	6	8	18000 (8165)	14450 (6554)		
	142.38 (3616)	87 (2210)	40.9 (1039)	6	8	18000 (8165)	14450 (6554)		
	154.16 (3916)	90 (2286)	43.9 (1115)	6	8	18000 (8165)	14450 (6554)		
	178.75 (4540)	98 (2489)	51.9 (1318)	6	8	TSDR*	TSDR*		
219.5 (5575)	111.5 (2832)	65.4 (1661)	6	8	TSDR*	TSDR*			
275.5 (6998)	137 (3480)	90.9 (2309)	6	8	TSDR*	TSDR*			
296.5 (7531)	144 (3658)	97.9 (2487)	6	8	TSDR*	TSDR*			
303.3 (7704)	146.3 (3716)	100.2 (2545)	6	8	TSDR*	TSDR*			

MAST TYPE	MAXIMUM FORK HEIGHT (TOP OF FORKS)	OVERALL HEIGHT		FREE-LIFT		TILT RANGE		LOAD CAPACITY AT 24 IN. (610 MM) LOAD CENTER	LOAD CAPACITY AT 36 IN. (914 MM) LOAD CENTER
		LOWERED	WITH STANDARD LOAD BACKREST	FWD	BWD				
						in (mm)	in (mm)		
THDC2200-24									
Wide Visible (V)	69 (1753)	83 (2108)	0	6	8	22000 (9979)	17700 (8029)		
	73.4 (1864)	85.5 (2172)	0	6	8	22000 (9979)	17700 (8029)		
	98.8 (2510)	98 (2489)	0	6	8	22000 (9979)	17700 (8029)		
	125.9 (3198)	111.5 (2832)	0	6	8	22000 (9979)	17700 (8029)		
	147.4 (3744)	122.3 (3106)	0	6	8	22000 (9979)	17700 (8029)		
	156.8 (3983)	137 (3480)	0	6	8	22000 (9979)	17700 (8029)		
	162.9 (4138)	140 (3556)	0	6	8	TSDR*	TSDR*		
	189.5 (4813)	154 (3912)	0	6	8	TSDR*	TSDR*		
Full Free-Lift 2-Stage (FV)	275 (6985)	190 (4826)	0	6	8	TSDR*	TSDR*		
	85.25 (2165)	73.25 (1861)	26.8 (681)	6	8	22000 (9979)	17700 (8029)		
	88 (2235)	74 (1880)	29.5 (749)	6	8	22000 (9979)	17700 (8029)		
	95 (2413)	92.7 (2355)	36.5 (927)	6	8	22000 (9979)	17700 (8029)		
	98 (2489)	98.75 (2508)	39.5 (1003)	6	8	22000 (9979)	17700 (8029)		
	111.5 (2832)	125 (3175)	53 (1346)	6	8	22000 (9979)	17700 (8029)		
	114.5 (2908)	131.69 (3345)	56 (1422)	6	8	22000 (9979)	17700 (8029)		
Full Free-Lift 3-Stage (FSV)	137 (3480)	177 (4496)	78.5 (1994)	6	8	22000 (9979)	17700 (8029)		
	150 (3810)	200 (5080)	91.5 (2324)	6	8	22000 (9979)	17700 (8029)		
	108.75 (2762)	85.5 (2172)	27 (686)	6	8	22000 (9979)	17700 (8029)		
	122.5 (3112)	90 (2286)	31.5 (800)	6	8	22000 (9979)	17700 (8029)		
	146.75 (3727)	98 (2489)	39.5 (1003)	6	8	22000 (9979)	17700 (8029)		
	150.5 (3823)	98 (2489)	39.5 (1003)	6	8	22000 (9979)	17700 (8029)		
	187.38 (4759)	111.5 (2832)	53 (1346)	6	8	TSDR*	TSDR*		
	243.88 (6195)	137 (3480)	78.5 (1994)	6	8	TSDR*	TSDR*		
264 (6706)	137 (3480)	78.5 (1994)	6	8	TSDR*	TSDR*			
274 (6960)	147 (3734)	88.5 (2248)	6	8	TSDR*	TSDR*			
327 (8306)	165 (4191)	106.5 (2705)	6	8	TSDR*	TSDR*			

*TSDR required to determine capacity to maximum fork height.

MAST TYPE	MAXIMUM FORK HEIGHT (TOP OF FORKS)	OVERALL HEIGHT	FREE-LIFT	TILT RANGE		LOAD CAPACITY AT 24 IN. (610 MM) LOAD CENTER	LOAD CAPACITY AT 36 IN. (914 MM) LOAD CENTER
		LOWERED	WITH STANDARD LOAD BACKREST	FWD	BWD		
	in (mm)	in (mm)	in (mm)	deg	deg	lb (kg)	lb (kg)
THDC2200B-24							
Wide Visible (V)	69 (1753)	83 (2108)	0	6	8	22000 (9979)	17700 (8029)
	73.4 (1864)	85.5 (2172)	0	6	8	22000 (9979)	17700 (8029)
	98.8 (2510)	98 (2489)	0	6	8	22000 (9979)	17700 (8029)
	125.9 (3198)	111.5 (2832)	0	6	8	22000 (9979)	17700 (8029)
	147.4 (3744)	122.3 (3106)	0	6	8	22000 (9979)	17700 (8029)
	156.8 (3983)	137 (3480)	0	6	8	22000 (9979)	17700 (8029)
	162.9 (4138)	140 (3556)	0	6	8	TSDR*	TSDR*
	189.5 (4813)	154 (3912)	0	6	8	TSDR*	TSDR*
Full Free-Lift 2-Stage (FV)	275 (6985)	190 (4826)	0	6	8	TSDR*	TSDR*
	85.25 (2165)	73.25 (1861)	26.8 (681)	6	8	22000 (9979)	17700 (8029)
	88 (2235)	74 (1880)	29.5 (749)	6	8	22000 (9979)	17700 (8029)
	95 (2413)	92.7 (2355)	36.5 (927)	6	8	22000 (9979)	17700 (8029)
	98 (2489)	98.75 (2508)	39.5 (1003)	6	8	22000 (9979)	17700 (8029)
	111.5 (2832)	125 (3175)	53 (1346)	6	8	22000 (9979)	17700 (8029)
	114.5 (2908)	131.69 (3345)	56 (1422)	6	8	22000 (9979)	17700 (8029)
	137 (3480)	177 (4496)	78.5 (1994)	6	8	22000 (9979)	17700 (8029)
Full Free-Lift 3-Stage (FSV)	150 (3810)	200 (5080)	91.5 (2324)	6	8	22000 (9979)	17700 (8029)
	108.75 (2762)	85.5 (2172)	27 (686)	6	8	22000 (9979)	17700 (8029)
	122.5 (3112)	90 (2286)	31.5 (800)	6	8	22000 (9979)	17700 (8029)
	146.75 (3727)	98 (2489)	39.5 (1003)	6	8	22000 (9979)	17700 (8029)
	150.5 (3823)	98 (2489)	39.5 (1003)	6	8	22000 (9979)	17700 (8029)
	187.38 (4759)	111.5 (2832)	53 (1346)	6	8	TSDR*	TSDR*
	243.88 (6195)	137 (3480)	78.5 (1994)	6	8	TSDR*	TSDR*
	264 (6706)	137 (3480)	78.5 (1994)	6	8	TSDR*	TSDR*
274 (6960)	147 (3734)	88.5 (2248)	6	8	TSDR*	TSDR*	
327 (8306)	165 (4191)	106.5 (2705)	6	8	TSDR*	TSDR*	

*TSDR required to determine capacity to maximum fork height.

MAST SPECIFICATIONS

MAST TYPE	MAXIMUM FORK HEIGHT (TOP OF FORKS)	OVERALL HEIGHT	FREE-LIFT	TILT RANGE		LOAD CAPACITY AT 36 IN. (914 MM) LOAD CENTER	LOAD CAPACITY AT 48 IN. (1219 MM) LOAD CENTER
		LOWERED	WITH STANDARD LOAD BACKREST	FWD	BWD		
	in (mm)	in (mm)	in (mm)	deg	deg	lb (kg)	lb (kg)
THDC1800-36							
Wide Visible (V)	69 (1753)	83 (2108)	0	6	8	18000 (8165)	15000 (6804)
	73.4 (1864)	85.5 (2172)	0	6	8	18000 (8165)	15000 (6804)
	98.8 (2510)	98 (2489)	0	6	8	18000 (8165)	15000 (6804)
	125.9 (3198)	111.5 (2832)	0	6	8	18000 (8165)	15000 (6804)
	147.4 (3744)	122.3 (3106)	0	6	8	18000 (8165)	15000 (6804)
	156.8 (3983)	137 (3480)	0	6	8	18000 (8165)	15000 (6804)
	162.9 (4138)	140 (3556)	0	6	8	TSDR*	TSDR*
	189.5 (4813)	154 (3912)	0	6	8	TSDR*	TSDR*
Full Free-Lift 2-Stage (FV)	275 (6985)	190 (4826)	0	6	8	TSDR*	TSDR*
	85.25 (2165)	73.25 (1861)	26.8 (681)	6	8	18000 (8165)	15000 (6804)
	88 (2235)	74 (1880)	29.5 (749)	6	8	18000 (8165)	15000 (6804)
	95 (2413)	92.7 (2355)	36.5 (927)	6	8	18000 (8165)	15000 (6804)
	98 (2489)	98.75 (2508)	39.5 (1003)	6	8	18000 (8165)	15000 (6804)
	111.5 (2832)	125 (3175)	53 (1346)	6	8	18000 (8165)	15000 (6804)
	114.5 (2908)	131.69 (3345)	56 (1422)	6	8	18000 (8165)	15000 (6804)
	137 (3480)	177 (4496)	78.5 (1994)	6	8	18000 (8165)	15000 (6804)
Full Free-Lift 3-Stage (FSV)	150 (3810)	200 (5080)	91.5 (2324)	6	8	18000 (8165)	15000 (6804)
	108.75 (2762)	85.5 (2172)	27 (686)	6	8	18000 (8165)	15000 (6804)
	122.5 (3112)	90 (2286)	31.5 (800)	6	8	18000 (8165)	15000 (6804)
	146.75 (3727)	98 (2489)	39.5 (1003)	6	8	18000 (8165)	15000 (6804)
	150.5 (3823)	98 (2489)	39.5 (1003)	6	8	18000 (8165)	15000 (6804)
	187.38 (4759)	111.5 (2832)	53 (1346)	6	8	TSDR*	TSDR*
	243.88 (6195)	137 (3480)	78.5 (1994)	6	8	TSDR*	TSDR*
	264 (6706)	137 (3480)	78.5 (1994)	6	8	TSDR*	TSDR*
274 (6960)	147 (3734)	88.5 (2248)	6	8	TSDR*	TSDR*	
327 (8306)	165 (4191)	106.5 (2705)	6	8	TSDR*	TSDR*	

*TSDR required to determine capacity to maximum fork height.



Some product features described herein are optional. Please consult your dealer for specifications.
Details of specifications and equipment are based on information available at time of printing and may change without notice.

