

HIGH-CAPACITY IC PNEUMATIC



22000 - 35000 LBS.

SPECIFICATIONS



5FD100-135 | 5FDK150-160

CLASS
5

INTERNAL COMBUSTION ENGINE PNEUMATIC TIRE

ToyotaForklift.com

HIGH-CAPACITY IC PNEUMATIC

CAPACITY
22000 – 35000 LBS.

MAXIMUM FORK HEIGHT
240 IN.

LOAD CENTER
24 IN.

INDUSTRIES



Agriculture



General
Manufacturing



Intermodal/Port



Lumber



Oil & Gas



Steel/Metals

STANDARD FEATURES

DURABILITY

- Wet disc brakes with dedicated oil cooling system
- Air brakes with air dryer
- AxleTech® planetary drive axle
- Rigidly constructed box-type welded frame
- Engine protection system
- High cooling capacity radiator with fan shroud
- Large-capacity engine-cooling fan
- Fully oil-charged lift cylinders
- Rubber-mounted hydraulic system
- Low-maintenance battery
- Cyclone air cleaner
- Pin-type forks

SUPPORT

- Operator Presence Sensing System (OPSS)
- Air horn
- Asbestos-free components
- Neutral engine safety switch
- Engine key stop
- Integrated overhead guard²
- Key lift interlock on hydraulics
- ORS full-suspension seat
- UL “D” conformity

PERFORMANCE

- EPA/CARB-certified Tier 4 Final diesel engine
- HINO 7.68 liter, 6-cylinder, diesel engine (J08E-WV)
 - Common rail electronic fuel injection
 - Turbocharged & intercooled
 - Water-cooled EGR valve
 - Quick-glow system
- Self Regenerating DPF
- Selective Catalytic Reduction System
- 24-Volt electrical system
- Automatic 2-speed transmission with a 2-stator torque converter (2 fwd./1 rev.)
- 2-function hydraulic control valve (lift & tilt)
- Upswept exhaust
- Integrated monitoring system — includes,
 - Hour meter display
 - Fuel gauge
 - Low fuel warning light
 - Engine coolant level warning light
 - Engine oil pressure warning light
 - Battery charge warning light
 - Torque converter oil temperature warning light
 - Check engine light
 - Pre-heat indicator light
 - Sediment warning light
 - Brake warning light
 - SAS warning light (synchronized steering)
 - Engine water temperature indicator
 - Speedometer
 - Brake air pressure gauge
 - Clogged air cleaner warning light
- Independent brake & inching pedals
- Full hydraulic power steering with synchronized steering
- Electronic parking brake
- Warning buzzer for parking brake (release)
- Limited wide-view free-lift 2-stage mast (V)
- Manual fork positioner (V mast only)
- Headlights
- Turn signal lights (4 lights)
- Rear combination lights
- Back-up lights
- Rear working lights (2 lights)
- Rearview mirrors (right & left sides)
- Rearview mirror
- Lifting eyes (2 mast mounted & 2 counterweight mounted, not level)
- Key off headlight & other electric components
- Locking fuel tank cap with separate key
- Load-sensing hydraulic system

ERGONOMICS

- Left-hand shift lever
- Non-slip rubber floor mat
- Slim profile, tilt steering column
- Long operator-assisted grips
- Hydraulic seat-side pilot-type short-throw levers

SERVICEABILITY

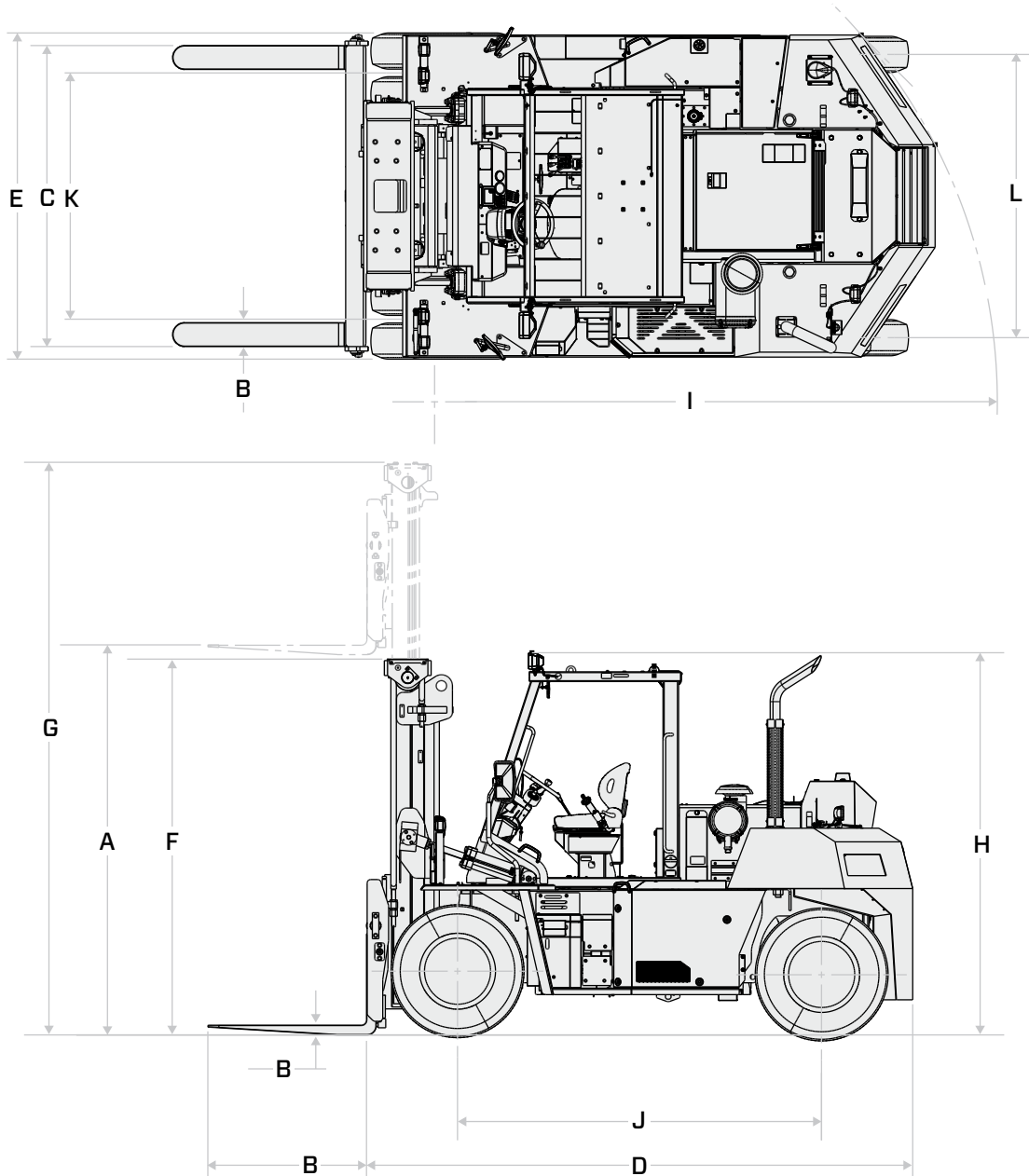
- Engine monitoring system
- All-wheel rotatable tires
- Centralized grease lubrication (mast, rear axle)
- Tilttable cabin for engine access

Please contact your local, authorized Toyota Dealer for a complete list of available options.

OPTIONAL EQUIPMENT

- 2-speed transmission (2 fwd./2 rev.)
- Swivel seat
- Full-floating pillarless deluxe cabin
- Full-floating pillarless deluxe cabin (high mount type)
- Heater with defroster
- Air conditioner
- Overhead guard sheet
- Front windshield with wiper & washer
- Steering wheel with knob
- Window visor right-hand & left-hand
- Cyclone air cleaner (dual elements)
- Pre-cleaner
- High-capacity battery
- Engine oil quick drain
- Right-hand shift lever
- Solid tires (front & rear)
- Spare tire
- Mudguard (front & rear)
- Strobe light
- Front work light
- Reading lamp
- Read-under mirror
- Loudspeaker
- Mast tilt indicator (mechanical)
- Full wide-view free-lift 2-stage mast (FV)
- Full wide-view free-lift 3-stage mast (FSV)
- Hydraulic sideshifter
- Hydraulic fork positioner
- Hydraulic side shifting fork positioner
- LED work lights (front & rear)
- Rear view camera w/ monitor
- Reading lamp
- Rear-under mirror
- Loudspeaker
- Mast tilt indicator (mechanical)
- Special paint
- Back-up buzzer

EXTERIOR DIMENSIONS 5FD135



TRUCK SPECIFICATIONS

MODEL NUMBERS

| GENERAL DATA | | | SFD100 | SFD115 | SFD120 | SFD135 | | |
|---|------------------------------------|---------------------------|---------------------------------------|---------------------------------------|---------------------------------------|---------------------------------------|-----------------------|--|
| Load Capacity | lb (kg) | | 22000 (10000) | 25000 (11500) | 26000 (12000) | 30000 (13500) | | |
| Load Center | in (mm) | | 24 (600) | 24 (600) | 24 (600) | 24 (600) | | |
| Power Type | | | Diesel | Diesel | Diesel | Diesel | | |
| EXTERIOR DIMENSIONS | | | SFD100 | SFD115 | SFD120 | SFD135 | | |
| A Maximum Fork Height (top of forks) | in (mm) | | 121 (3075) | 121.1 (3080) | 121.1 (3080) | 121.5 (3090) | | |
| B Fork Size (T x W x L) | in (mm) | | 3.0 x 6.7 x 48.0 (75 x 170 x 1220) | 3.1 x 7.1 x 48.0 (80 x 180 x 1220) | 3.1 x 7.1 x 48.0 (80 x 180 x 1220) | 3.5 x 7.1 x 48.0 (90 x 180 x 1220) | | |
| C Fork Spread ¹ (maximum / minimum) | in (mm) | | 84.3 (2140) / 16.5 (420) | 84.3 (2140) / 17.3 (440) | 84.3 (2140) / 17.3 (440) | 87 (2210) / 18.1 (460) | | |
| Tilt Range (forward / backward) | deg | | 6 / 12 | 6 / 12 | 6 / 12 | 6 / 12 | | |
| Free-Lift | in (mm) | | 0 | 0 | 0 | 0 | | |
| D Length to Fork Face | in (mm) | | 165.4 (4200) | 168.1 (4270) | 168.1 (4270) | 180.7 (4590) | | |
| E Overall Width | in (mm) | | 91.1 (2315) | 93.9 (2385) | 93.9 (2385) | 95.1 (2415) | | |
| F Mast Lowered Height | in (mm) | | 114 (2905) | 115 (2920) | 115 (2920) | 125 (3170) | | |
| G Mast Extended Height | in (mm) | | 173 (4405) | 174 (4420) | 174 (4420) | 184 (4670) | | |
| H Overhead Guard Height ² (maximum / minimum) | in (mm) | | 117 (2970) / 115 (2930) | 118 (2985) / 116 (2945) | 118 (2985) / 116 (2945) | 118 (3000) / 116.5 (2960) | | |
| Turning Radius (outside) | in (mm) | | 158 (4000) | 158 (4000) | 158 (4000) | 169 (4300) | | |
| Load Distance ³ | in (mm) | | 27.6 (700) | 28.3 (720) | 28.3 (720) | 29.1 (740) | | |
| Rear Overhang | | | 27.6 (700) | 29.5 (750) | 29.5 (750) | 29.5 (750) | | |
| Right-Angle Aisle Width | | | 137 (3480) | 139 (3530) | 139 (3530) | 144.5 (3670) | | |
| I Basic Right-Angle Stacking Aisle Width ⁴ | | | 185 (4700) | 185.8 (4720) | 185.8 (4720) | 198.4 (5040) | | |
| PERFORMANCE DATA | | | SFD100 | SFD115 | SFD120 | SFD135 | | |
| Speeds | Maximum Travel (fwd. 1st / rev.) | Full Load | mph (km/h) | 9.9 (16) / 13.7 (22) | 9.9 (16) / 13.7 (22) | 9.9 (16) / 13.7 (22) | 9.9 (16) / 13.7 (22) | |
| | | No Load | mph (km/h) | 10.6 (17) / 14.9 (24) | 11.2 (18) / 15.5 (25) | 11.2 (18) / 15.5 (25) | 11.2 (18) / 15.5 (25) | |
| | Maximum Travel (fwd. 2nd / rev.) | Full Load | mph (km/h) | 17.4 (28) / 13.7 (22) | 17.4 (28) / 13.7 (22) | 17.4 (28) / 13.7 (22) | 17.4 (28) / 13.7 (22) | |
| | | No Load | mph (km/h) | 19.9 (32) / 14.9 (24) | 20.5 (33) / 15.5 (25) | 20.5 (33) / 15.5 (25) | 21.1 (34) / 15.5 (25) | |
| | Lifting (full load / no load) | fpm (mm/sec) | | 91 (460) / 98 (500) | 89 (450) / 91 (460) | 83 (420) / 98 (460) | 69 (350) / 75 (380) | |
| Lowering (full load / no load) | fpm (mm/sec) | | 89 (450) / 98 (500) | 89 (450) / 98 (500) | 89 (450) / 98 (500) | 79 (400) / 89 (450) | | |
| Drawbar Pull | Full Load | lb (kg) | 24692 (11200) | 24251 (11000) | 24251 (11000) | 23810 (10800) | | |
| | No Load | lb (kg) | 9259 (4200) | 9370 (4250) | 9259 (4200) | 10472 (4750) | | |
| Gradeability at 1 mph (1.5 km/h)* | % | | 35 | 30 | 29 | 26 | | |
| Maximum Gradeability (full load / no load)* | % | | 54 / 27 | 45 / 25 | 43 / 24 | 38 / 26 | | |
| TRUCK WEIGHTS | | | SFD100 | SFD115 | SFD120 | SFD135 | | |
| Total Weight | lb (kg) | | 30247 (13720) | 32628 (14800) | 33665 (15270) | 35693 (16190) | | |
| Weight Distribution | Full Load (front / rear) | lb (kg) | 47730 (21650) 4564 (2070) | 52999 (24040) 4982 (2260) | 54586 (24760) 5534 (2510) | 60054 (27240) 5401 (2450) | | |
| | No Load (front / rear) | lb (kg) | 15454 (7010) 14793 (6710) | 15696 (7120) 16931 (7680) | 15653 (7100) 18012 (8170) | 17417 (7900) 18276 (8290) | | |
| TIRES | | | SFD100 | SFD115 | SFD120 | SFD135 | | |
| Tires | Number (front / rear) | | 4 / 2 | | 4 / 2 | | 4 / 2 | |
| | Size | Front | in (mm) | 9.00-20-14PR | 10.00-20-14PR | 10.00-20-14PR | 11.00-20-16PR | |
| | | Rear | in (mm) | 9.00-20-14PR | 10.00-20-14PR | 10.00-20-14PR | 11.00-20-16PR | |
| J Wheelbase | in (mm) | | 110 (2800) | 110 (2800) | 110 (2800) | 122 (3100) | | |
| K / L Tread Width (front / rear) | in (mm) | | 68.9 (1750) / 79.3 (2015) | 69.5 (1765) / 78.7 (2000) | 69.5 (1765) / 78.7 (2000) | 69.7 (1770) / 78.3 (1990) | | |
| Overhead Guard Clearance | in (mm) | | 43.3 (1100) | 43.3 (1100) | 43.3 (1100) | 43.3 (1100) | | |
| Counterweight Height / Drawbar Height | in (mm) | | 63.4 (1610) / 16.5 (420) | 64.2 (1630) / 17.3 (440) | 64.2 (1630) / 17.3 (440) | 64.6 (1640) / 17.7 (450) | | |
| Underclearance | Mast | in (mm) | 8.1 (min) (205) | 8.3 (min) (210) | 8.1 (min) (205) | 8.3 (min) (210) | | |
| | Center of Wheelbase | in (mm) | 11.8 (300) | 12.6 (320) | 12.6 (320) | 13.2 (335) | | |
| | Drive Axle / Steer Axle | in (mm) | 8.5 (215) / 10.2 (260) | 8.9 (225) / 10.6 (270) | 8.7 (220) / 10.6 (270) | 9.4 (240) / 11.4 (290) | | |
| | Counterweight | in (mm) | 11.0 (280) | 11.4 (290) | 11.2 (285) | 11.4 (290) | | |
| Grade Clearance (frame / counterweight) | % | | 54 / 55 | 58 / 54 | 58 / 54 | 54 / 58 | | |
| Brake | Service (foot) / Parking (hand) | | Wet Disc / Drum | Wet Disc / Drum | Wet Disc / Drum | Wet Disc / Drum | | |
| POWER SYSTEM | | | SFD100 | SFD115 | SFD120 | SFD135 | | |
| Battery | Voltage / Capacity (5-hour rating) | V / Ah | 24 / 83 | | 24 / 83 | | 24 / 83 | |
| | Make / Model | | HINO J08E-WV | | HINO J08E-WV | | HINO J08E-WV | |
| Internal Combustion Engine | Rated Horsepower @ rpm | SAE HP (kW) | 168 @ 2300 (125 @ 2300) | 168 @ 2300 (125 @ 2300) | 168 @ 2300 (125 @ 2300) | 168 @ 2300 (125 @ 2300) | | |
| | Rated Torque @ rpm | SAE HP (kW) | 406 @ 1600 (550 @ 1600) | 406 @ 1600 (550 @ 1600) | 406 @ 1600 (550 @ 1600) | 406 @ 1600 (550 @ 1600) | | |
| | Piston Displacement | cu in (cc) | 469 (7684) | | 469 (7684) | | 469 (7684) | |
| | Number of Cylinders | | 6 | | 6 | | 6 | |
| | Fuel Tank Capacity | US gal (liter) | 60.7 (230) | 60.7 (230) | 60.7 (230) | 73.9 (280) | | |
| Def Tank Capacity | US gal (liter) | 5 (19) | 5 (19) | 5 (19) | 5 (19) | | | |
| Transmission | Type | | Powershift | | Powershift | | Powershift | |
| | Speeds (forward / reverse) | | 2 / 1 | | 2 / 1 | | 2 / 1 | |
| Auxiliary Hydraulic Function Specs. ⁵ | Max. Operating Pressure | psi (kg/cm ²) | 2986 (210) | | 2986 (210) | | 2986 (210) | |
| | Max. Flow Rate | gpm (lpm) | 26 (100) | | 26 (100) | | 26 (100) | |

* Computed values.

1 Outer edge to outer edge.

2 Head guard / with cab.

3 Centerline of front axle to front face of forks.

4 Add load length & clearance.

5 For attachments. Values taken at Hydraulic Control Valve. Does not take into consideration losses through mast plumbing (hosing, fittings, QDs, etc.).

TRUCK SPECIFICATIONS

MODEL NUMBERS

| GENERAL DATA | | | 5FDK150 | 5FDK160 | |
|---|------------------------------------|---------------------------|---------------------------------------|---------------------------------------|-----------------------|
| Load Capacity | lb (kg) | | 33000 (15000) | 35000 (16000) | |
| Load Center | in (mm) | | 24 (600) | 24 (600) | |
| Power Type | | | Diesel | Diesel | |
| EXTERIOR DIMENSIONS | | | 5FDK150 | 5FDK160 | |
| A Maximum Fork Height (top of forks) | in (mm) | | 121.5 (3090) | 121.5 (3090) | |
| B Fork Size (T x W x L) | in (mm) | | 3.5 x 7.1 x 48.0 (90 x 180 x 1220) | 3.5 x 7.9 x 48.0 (90 x 200 x 1220) | |
| C Fork Spread ¹ (maximum / minimum) | in (mm) | | 87 (2210) / 18.1 (460) | 87 (2210) / 19.7 (500) | |
| Tilt Range (forward / backward) | deg | | 6 / 12 | 6 / 12 | |
| Free-Lift | in (mm) | | 0 | 0 | |
| D Length to Fork Face | in (mm) | | 181.9 (4620) | 185 (4700) | |
| E Overall Width | in (mm) | | 95.1 (2415) | 97.8 (2485) | |
| F Mast Lowered Height | in (mm) | | 124 (3150) | 125 (3170) | |
| G Mast Extended Height | in (mm) | | 183 (4650) | 184 (4670) | |
| H Overhead Guard Height ² (maximum / minimum) | in (mm) | | 118.1 (3000) / 116.5 (2960) | 119 (3020) / 117 (2980) | |
| Turning Radius (Outside) | in (mm) | | 169 (4300) | 175 (4450) | |
| Load Distance ³ | in (mm) | | 29.5 (750) | 29.5 (750) | |
| Rear Overhang | | | 30.3 (770) | 33 (850) | |
| Right-Angle Aisle Width | | | 146.1 (3710) | 148.8 (3780) | |
| I Basic Right-Angle Stacking Aisle Width ⁴ | | | 198.8 (5050) | 204.7 (5200) | |
| PERFORMANCE DATA | | | 5FDK150 | 5FDK160 | |
| Speeds | Maximum Travel (fwd. 1st / rev.) | Full Load | mph (km/h) | 9.9 (16) / 13.7 (22) | 10.6 (17) / 14.3 (23) |
| | | No Load | mph (km/h) | 11.2 (18) / 15.5 (25) | 11.8 (19) / 16.2 (26) |
| | Maximum Travel (fwd. 2nd / rev.) | Full Load | mph (km/h) | 17.4 (28) / 13.7 (22) | 18.0 (29) / 14.3 (23) |
| | | No Load | mph (km/h) | 21.1 (34) / 15.5 (25) | 21.1 (34) / 16.2 (26) |
| | Lifting (full load / no load) | fpm (mm/sec) | | 67 (340) / 69 (350) | 65 (330) / 69 (350) |
| Lowering (full load / no load) | fpm (mm/sec) | | 79 (400) / 89 (450) | 79 (400) / 89 (450) | |
| Drawbar Pull | Full Load | lb (kg) | 23810 (10800) | 22487 (10200) | |
| | No Load | lb (kg) | 11685 (5300) | 11464 (5200) | |
| Gradeability at 1 mph (1.5 km/h)* | % | | 27 | 26 | |
| Maximum Gradeability (full load / no load)* | % | | 33 / 25 | 30 / 24 | |
| TRUCK WEIGHTS | | | 5FDK150 | 5FDK160 | |
| Total Weight | lb (kg) | | 40168 (18220) | 41403 (18780) | |
| Weight Distribution | Full Load (front / rear) | lb (kg) | 66822 (30310) 6415 (2910) | 69886 (31700) 6790 (3080) | |
| | | lb (kg) | 19357 (8780) 20812 (9440) | 19246 (8730) 22156 (10050) | |
| | No Load (front / rear) | | | | |
| TIRES | | | 5FDK150 | 5FDK160 | |
| Tires | Number (front / rear) | | 4 / 2 | 4 / 2 | |
| | Size | Front | in (mm) | 11.00-20-16PR | 11.00-20-18PR |
| | | Rear | in (mm) | 11.00-20-16PR | 11.00-20-18PR |
| J Wheelbase | in (mm) | | 122 (3100) | 122 (3100) | |
| K / L Tread Width (front / rear) | in (mm) | | 69.7 (1770) / 78.3 (1990) | 70.1 (1780) / 77.8 (1975) | |
| Overhead Guard Clearance | in (mm) | | 43.3 (1100) | 43.3 (1100) | |
| Counterweight Height / Drawbar Height | in (mm) | | 64.6 (1640) / 17.7 (450) | 65.4 (1660) / 18.5 (470) | |
| Underclearance | Mast | in (mm) | 8.1 (min) (205) | 9.3 (min) (235) | |
| | Center of Wheelbase | in (mm) | 13.2 (335) | 14.2 (360) | |
| | Drive Axle / Steer Axle | in (mm) | 9.3 (235) / 11.4 (290) | 10.4 (265) / 12.4 (315) | |
| | Counterweight | in (mm) | 11.4 (290) | 13.2 (335) | |
| Grade Clearance (frame / counterweight) | % | | 54 / 55 | 59 / 53 | |
| Brake | Service (foot) / Parking (hand) | | Wet Disc / Drum | Wet Disc / Drum | |
| POWER SYSTEM | | | 5FDK150 | 5FDK160 | |
| Battery | Voltage / Capacity (5-hour rating) | V / Ah | 24 / 83 | 24 / 83 | |
| | Make / Model | | HINO J08E-WV | HINO J08E-WV | |
| Internal Combustion Engine | Rated Horsepower @ rpm | SAE HP (kW) | 168 @ 2300 (125 @ 2300) | 168 @ 2300 (125 @ 2300) | |
| | Rated Torque @ rpm | SAE HP (kW) | 406 @ 1600 (550 @ 1600) | 406 @ 1600 (550 @ 1600) | |
| | Piston Displacement | cu in (cc) | 469 (7684) | 469 (7684) | |
| | Number of Cylinders | | 6 | 6 | |
| | Fuel Tank Capacity | US gal (liter) | 73.9 (280) | 73.9 (280) | |
| | Def Tank Capacity | US gal (liter) | 5 (19) | 5 (19) | |
| Transmission | Type | | Powershift | Powershift | |
| | Speeds (forward / reverse) | | 2 / 1 | 2 / 1 | |
| Auxiliary Hydraulic Function Specs. ⁵ | Max. Operating Pressure | psi (kg/cm ²) | 2986 (210) | 2986 (210) | |
| | Max. Flow Rate | gpm (lpm) | 26 (100) | 26 (100) | |

* Computed values.

1 Outer edge to outer edge.

2 Head guard / with cab.

3 Centerline of front axle to front face of forks.

4 Add load length & clearance.

5 For attachments. Values taken at Hydraulic Control Valve. Does not take into consideration losses through mast plumbing (hosing, fittings, QDs, etc.).

MAST SPECIFICATIONS

| MAST TYPE | MAXIMUM FORK HEIGHT (TOP OF FORKS) | OVERALL HEIGHT | | FREE-LIFT | DUAL TIRE | | | | |
|------------------------------|------------------------------------|----------------|------------|------------|------------|---------|-----------------------------|-----------------------------|------------------------------|
| | | LOWERED | EXTENDED | | TILT RANGE | | LOAD CAPACITY AT | | |
| | | | | | FWD | BWD | 24 IN. (610 MM) LOAD CENTER | 36 IN. (900 MM) LOAD CENTER | 48 IN. (1220 MM) LOAD CENTER |
| in (mm) | in (mm) | in (mm) | in (mm) | deg | deg | lb (kg) | lb (kg) | lb (kg) | |
| SFD100 | | | | | | | | | |
| Wide Visible (V) | 121 (3075) | 114 (2905) | 173 (4405) | 0 | 6 | 12 | 22000 (10000) | 17820 (8100) | 14960 (6800) |
| | 133 (3375) | 120 (3055) | 185 (4705) | 0 | 6 | 12 | 22000 (10000) | 17820 (8100) | 14960 (6800) |
| | 141 (3575) | 124 (3155) | 193 (4905) | 0 | 6 | 12 | 22000 (10000) | 17820 (8100) | 14960 (6800) |
| | 148 (3775) | 128 (3255) | 201 (5105) | 0 | 6 | 12 | 22000 (10000) | 17820 (8100) | 14960 (6800) |
| | 180.5 (4075) | 134 (3405) | 213 (5405) | 0 | 6 | 12 | 22000 (10000) | 17820 (8100) | 14960 (6800) |
| | 180 (4575) | 144 (3655) | 232 (5905) | 0 | 6 | 12 | 22000 (10000) | 17820 (8100) | 14960 (6800) |
| | 199.5 (5075) | 162 (4105) | 260 (6605) | 0 | 6 | 12 | 22000 (10000) | 17820 (8100) | 14960 (6800) |
| | 219.5 (5575) | 171 (4355) | 280 (7105) | 0 | 6 | 12 | 19800 (9000) | 16060 (7300) | 13420 (6100) |
| Full Free-Lift 2-Stage (FV) | 239 (6075) | 181 (4605) | 299 (7605) | 0 | 6 | 12 | 17600 (8000) | 14300 (6500) | 11880 (5400) |
| | 121 (3075) | 114 (2905) | 173 (4405) | 62 (1575) | 6 | 12 | 22000 (10000) | 17820 (8100) | 14960 (6800) |
| | 141 (3575) | 124 (3155) | 193 (4905) | 72 (1825) | 6 | 12 | 22000 (10000) | 17820 (8100) | 14960 (6800) |
| | 160.5 (4075) | 134 (3405) | 213 (5405) | 82 (2075) | 6 | 12 | 22000 (10000) | 17820 (8100) | 14960 (6800) |
| | 180 (4575) | 144 (3655) | 232 (5905) | 92 (2325) | 6 | 12 | 22000 (10000) | 17820 (8100) | 14960 (6800) |
| Full Free-Lift 3-Stage (FSV) | 199.5 (5075) | 162 (4105) | 260 (6605) | 101 (2575) | 6 | 12 | 22000 (10000) | 17820 (8100) | 14960 (6800) |
| | 160.5 (4075) | 115 (2910) | 213 (5410) | 62 (1575) | 6 | 6 | 19800 (9000) | 16060 (7300) | 13640 (6200) |
| | 199.5 (5075) | 128 (3260) | 254 (6460) | 74 (1875) | 6 | 6 | 18040 (8200) | 14740 (6700) | 12320 (5600) |
| | 239 (6075) | 144 (3660) | 294 (7460) | 90 (2275) | 6 | 6 | 15400 (7000) | 12540 (5700) | 10560 (4800) |

| MAST TYPE | MAXIMUM FORK HEIGHT (TOP OF FORKS) | OVERALL HEIGHT | | FREE-LIFT | DUAL TIRE | | | | |
|------------------------------|------------------------------------|----------------|------------|-----------|------------|---------|-----------------------------|-----------------------------|------------------------------|
| | | LOWERED | EXTENDED | | TILT RANGE | | LOAD CAPACITY AT | | |
| | | | | | FWD | BWD | 24 IN. (610 MM) LOAD CENTER | 36 IN. (900 MM) LOAD CENTER | 48 IN. (1220 MM) LOAD CENTER |
| in (mm) | in (mm) | in (mm) | in (mm) | deg | deg | lb (kg) | lb (kg) | lb (kg) | |
| SFD115 | | | | | | | | | |
| Wide Visible (V) | 121 (3080) | 115 (2920) | 174 (4420) | 0 | 6 | 12 | 25000 (11500) | 20460 (9300) | 17380 (7900) |
| | 133 (3380) | 121 (3070) | 186 (4720) | 0 | 6 | 12 | 25000 (11500) | 20460 (9300) | 17380 (7900) |
| | 141 (3580) | 125 (3170) | 194 (4920) | 0 | 6 | 12 | 25000 (11500) | 20460 (9300) | 17380 (7900) |
| | 148 (3780) | 129 (3270) | 202 (5120) | 0 | 6 | 12 | 25000 (11500) | 20460 (9300) | 17380 (7900) |
| | 160.5 (4080) | 135 (3420) | 213 (5420) | 0 | 6 | 12 | 25000 (11500) | 20460 (9300) | 17380 (7900) |
| | 180 (4580) | 144 (3670) | 233 (5920) | 0 | 6 | 12 | 25000 (11500) | 20460 (9300) | 17380 (7900) |
| | 200 (5080) | 162 (4120) | 261 (6620) | 0 | 6 | 12 | 25000 (11500) | 20460 (9300) | 17380 (7900) |
| | 219.5 (5580) | 172 (4370) | 280 (7120) | 0 | 6 | 12 | 22000 (10000) | 17820 (8100) | 14960 (6800) |
| Full Free-Lift 3-Stage (FSV) | 240 (6080) | 182 (4620) | 300 (7620) | 0 | 6 | 12 | 19800 (9000) | 16060 (7300) | 13420 (6100) |
| | 160.5 (4080) | 125 (3185) | 224 (5685) | 62 (1580) | 6 | 6 | 23100 (10500) | 18920 (8600) | 15840 (7200) |
| | 200 (5080) | 139 (3535) | 265 (6735) | 74 (1880) | 6 | 6 | 21340 (9700) | 17380 (7900) | 14740 (6700) |
| | 239.5 (6080) | 155 (3935) | 305 (7735) | 90 (2280) | 6 | 6 | 18700 (8500) | 15180 (6900) | 12980 (5900) |

| MAST TYPE | MAXIMUM FORK HEIGHT (TOP OF FORKS) | OVERALL HEIGHT | | FREE-LIFT | DUAL TIRE | | | | |
|------------------------------|------------------------------------|----------------|------------|-----------|------------|---------|-----------------------------|-----------------------------|------------------------------|
| | | LOWERED | EXTENDED | | TILT RANGE | | LOAD CAPACITY AT | | |
| | | | | | FWD | BWD | 24 IN. (610 MM) LOAD CENTER | 36 IN. (900 MM) LOAD CENTER | 48 IN. (1220 MM) LOAD CENTER |
| in (mm) | in (mm) | in (mm) | in (mm) | deg | deg | lb (kg) | lb (kg) | lb (kg) | |
| SFD120 | | | | | | | | | |
| Wide Visible (V) | 121 (3080) | 115 (2920) | 174 (4420) | 0 | 6 | 12 | 26000 (12000) | 21340 (9700) | 18040 (8200) |
| | 133 (3380) | 121 (3070) | 186 (4720) | 0 | 6 | 12 | 26000 (12000) | 21340 (9700) | 18040 (8200) |
| | 141 (3580) | 125 (3170) | 194 (4920) | 0 | 6 | 12 | 26000 (12000) | 21340 (9700) | 18040 (8200) |
| | 148 (3780) | 129 (3270) | 202 (5120) | 0 | 6 | 12 | 26000 (12000) | 21340 (9700) | 18040 (8200) |
| | 160.5 (4080) | 135 (3420) | 213 (5420) | 0 | 6 | 12 | 26000 (12000) | 21340 (9700) | 18040 (8200) |
| | 180 (4580) | 144 (3670) | 233 (5920) | 0 | 6 | 12 | 26000 (12000) | 21340 (9700) | 18040 (8200) |
| | 200 (5080) | 162 (4120) | 261 (6620) | 0 | 6 | 12 | 26000 (12000) | 21340 (9700) | 18040 (8200) |
| | 219.5 (5580) | 172 (4370) | 280 (7120) | 0 | 6 | 12 | 23100 (10500) | 18700 (8500) | 15840 (7200) |
| Full Free-Lift 3-Stage (FSV) | 240 (6080) | 182 (4620) | 300 (7620) | 0 | 6 | 12 | 20900 (9500) | 16940 (7700) | 14300 (6500) |
| | 160.5 (4080) | 125 (3185) | 224 (5685) | 62 (1580) | 6 | 6 | 24200 (11000) | 19800 (9000) | 16720 (7600) |
| | 200 (5080) | 139 (3535) | 265 (6735) | 74 (1880) | 6 | 6 | 22440 (10200) | 18260 (8300) | 15400 (7000) |
| | 239.5 (6080) | 155 (3935) | 305 (7735) | 90 (2280) | 6 | 6 | 19800 (9000) | 16060 (7300) | 13640 (6200) |

MAST SPECIFICATIONS

| MAST TYPE | MAXIMUM FORK HEIGHT (TOP OF FORKS) | OVERALL HEIGHT | | FREE-LIFT | DUAL TIRE | | | | |
|------------------------------|------------------------------------|----------------|------------|-----------|------------|---------|-----------------------------|-----------------------------|------------------------------|
| | | LOWERED | EXTENDED | | TILT RANGE | | LOAD CAPACITY AT | | |
| | | | | | FWD | BWD | 24 IN. (610 MM) LOAD CENTER | 36 IN. (900 MM) LOAD CENTER | 48 IN. (1220 MM) LOAD CENTER |
| in (mm) | in (mm) | in (mm) | in (mm) | deg | deg | lb (kg) | lb (kg) | lb (kg) | |
| 5FD135 | | | | | | | | | |
| Wide Visible (V) | 121.5 (3090) | 125 (3170) | 184 (4670) | 0 | 6 | 12 | 30000 (13500) | 24200 (11000) | 20460 (9300) |
| | 133.5 (3390) | 131 (3320) | 196 (4970) | 0 | 6 | 12 | 30000 (13500) | 24200 (11000) | 20460 (9300) |
| | 141.5 (3590) | 135 (3420) | 204 (5170) | 0 | 6 | 12 | 30000 (13500) | 24200 (11000) | 20460 (9300) |
| | 148.5 (3790) | 139 (3520) | 211 (5370) | 0 | 6 | 12 | 30000 (13500) | 24200 (11000) | 20460 (9300) |
| | 161 (4090) | 144 (3670) | 223 (5670) | 0 | 6 | 12 | 30000 (13500) | 24200 (11000) | 20460 (9300) |
| | 180.5 (4590) | 154 (3920) | 243 (6170) | 0 | 6 | 12 | 30000 (13500) | 24200 (11000) | 20460 (9300) |
| | 200.5 (5090) | 172 (4370) | 270 (6870) | 0 | 6 | 12 | 30000 (13500) | 24200 (11000) | 20460 (9300) |
| | 220 (5590) | 182 (4620) | 290 (7370) | 0 | 6 | 12 | 26400 (12000) | 21560 (9800) | 18040 (8200) |
| Full Free-Lift 3-Stage (FSV) | 240 (6090) | 192 (4870) | 310 (7870) | 0 | 6 | 12 | 24200 (11000) | 19580 (8900) | 16500 (7500) |
| | 161 (4090) | 126 (3200) | 224 (5700) | 63 (1590) | 6 | 6 | 27500 (12500) | 22440 (10200) | 19140 (8700) |
| | 200.5 (5090) | 140 (3550) | 266 (6750) | 74 (1890) | 6 | 6 | 25740 (11700) | 21120 (9600) | 17820 (8100) |
| | 240 (6090) | 156 (3950) | 305 (7750) | 90 (2290) | 6 | 6 | 22000 (10000) | 18040 (8200) | 15180 (6900) |

| MAST TYPE | MAXIMUM FORK HEIGHT (TOP OF FORKS) | OVERALL HEIGHT | | FREE-LIFT | DUAL TIRE | | | | |
|------------------|------------------------------------|----------------|------------|-----------|------------|---------|-----------------------------|-----------------------------|------------------------------|
| | | LOWERED | EXTENDED | | TILT RANGE | | LOAD CAPACITY AT | | |
| | | | | | FWD | BWD | 24 IN. (610 MM) LOAD CENTER | 36 IN. (900 MM) LOAD CENTER | 48 IN. (1220 MM) LOAD CENTER |
| in (mm) | in (mm) | in (mm) | in (mm) | deg | deg | lb (kg) | lb (kg) | lb (kg) | |
| 5FDK150 | | | | | | | | | |
| Wide Visible (V) | 121.5 (3090) | 124 (3150) | 183 (4650) | 0 | 6 | 12 | 33000 (15000) | 26840 (12200) | 22660 (10300) |
| | 133.5 (3390) | 130 (3300) | 195 (4950) | 0 | 6 | 12 | 33000 (15000) | 26840 (12200) | 22660 (10300) |
| | 141.5 (3590) | 134 (3400) | 203 (5150) | 0 | 6 | 12 | 33000 (15000) | 26840 (12200) | 22660 (10300) |
| | 148.5 (3790) | 138 (3500) | 211 (5350) | 0 | 6 | 12 | 33000 (15000) | 26840 (12200) | 22660 (10300) |
| | 161 (4090) | 144 (3650) | 222 (5650) | 0 | 6 | 12 | 33000 (15000) | 26840 (12200) | 22660 (10300) |
| | 180.5 (4590) | 154 (3900) | 242 (6150) | 0 | 6 | 12 | 33000 (15000) | 26840 (12200) | 22660 (10300) |
| | 200.5 (5090) | 171 (4350) | 270 (6850) | 0 | 6 | 12 | 33000 (15000) | 26840 (12200) | 22660 (10300) |
| | 220 (5590) | 181 (4600) | 289 (7350) | 0 | 6 | 12 | 29700 (13500) | 24200 (11000) | 20460 (9300) |
| | 240 (6090) | 191 (4850) | 309 (7850) | 0 | 6 | 12 | 26400 (12000) | 21560 (9800) | 18260 (8300) |

| MAST TYPE | MAXIMUM FORK HEIGHT (TOP OF FORKS) | OVERALL HEIGHT | | FREE-LIFT | DUAL TIRE | | | | |
|------------------|------------------------------------|----------------|------------|------------|------------|---------|-----------------------------|-----------------------------|------------------------------|
| | | LOWERED | EXTENDED | | TILT RANGE | | LOAD CAPACITY AT | | |
| | | | | | FWD | BWD | 24 IN. (610 MM) LOAD CENTER | 36 IN. (900 MM) LOAD CENTER | 48 IN. (1220 MM) LOAD CENTER |
| in (mm) | in (mm) | in (mm) | in (mm) | deg | deg | lb (kg) | lb (kg) | lb (kg) | |
| 5FDK160 | | | | | | | | | |
| Wide Visible (V) | 121.5 (3090) | 125 (3170) | 184 (4670) | 0 | 6 | 12 | 35000 (16000) | 28600 (13000) | 24200 (11000) |
| | 133.5 (3390) | 131 (3320) | 196 (4970) | 0 | 6 | 12 | 35000 (16000) | 28600 (13000) | 24200 (11000) |
| | 141.5 (3590) | 135 (3420) | 204 (5170) | 0 | 6 | 12 | 35000 (16000) | 28600 (13000) | 24200 (11000) |
| | 148.5 (3790) | 139 (3520) | 211 (5370) | 0 | 6 | 12 | 35000 (16000) | 28600 (13000) | 24200 (11000) |
| | 161 (4090) | 144 (3670) | 223 (5670) | 0 | 6 | 12 | 35000 (16000) | 28600 (13000) | 24200 (11000) |
| | 180.5 (4590) | 154 (3920) | 243 (6170) | 0 | 6 | 12 | 35000 (16000) | 28600 (13000) | 24200 (11000) |
| | 200.5 (5090) | 172 (4370) | 270 (6870) | 0 | 6 | 12 | 35000 (16000) | 28600 (13000) | 24200 (11000) |
| | 220 (5590) | 182 (4620) | 290 (7370) | 0 | 6 | 12 | 31900 (14500) | 25960 (11800) | 22000 (10000) |
| | | 240 (6090) | 192 (4870) | 310 (7870) | 0 | 6 | 12 | 28600 (13000) | 23320 (10600) |

“I’M HERE TO MAKE SURE YOUR FORKLIFTS DON’T TAKE VACATION DAYS.”

Butch – 360 Technician, ProLift, Cincinnati, Ohio



HELP IS ALWAYS HERE WITH TOYOTA 360 SUPPORT.

The industry’s best and most comprehensive dealer network quickly delivers Toyota Certified Technicians to your work site. These specially-trained technicians can also help assess your warehouse and facility needs to recommend the right equipment for the job. And with the largest fleet of used and rental forklifts, Toyota 360 keeps your business running at full speed.

ToyotaForklift.com/360-Support



YOUR BUSINESS IS RIDING ON IT.

Some product features described herein are optional. Please consult your dealer for specifications. Details of specifications and equipment are based on information available at time of printing and may change without notice.

