

LOADED CONTAINER HANDLER



UP TO 90000 LBS. (45 TON) CAPACITY

SPECIFICATIONS



THD9000-L3.L4 | THD8600-L5 | THD8000-L6

CLASS
5

INTERNAL COMBUSTION ENGINE PNEUMATIC TIRE

ToyotaForklift.com

LOADED CONTAINER HANDLER

CAPACITY
UP TO 90000 LBS.

WHEELBASE
236 - 275 IN.

LOAD CENTER
97 IN.

INDUSTRIAL



Intermodal/Port

STANDARD FEATURES

SUPPORT

- Electric horn
- Asbestos-free components
- Neutral safety switch
- Integrated overhead guard
- Operator restraint system seat
- Operator Presence Sensing System (OPSS)

PERFORMANCE

- CUMMINS® 8.9 liter, 6 cylinder Tier 4 Final diesel engine
 - Common-rail electronic fuel injection system
 - Turbocharged & intercooled
 - Self-regenerating DPF
 - Selective Catalytic Reduction (SCR)
- Dana model 36000 transmission with 3 forward & 3 reverse speeds
- Tilt position indicator
- Suspended attachment with four ISO twistlocks
 - Extendable/retractable to 20' & 40' pick points
 - Large LED twistlock engagement indicator lights
 - Interlock safety system to ensure proper locking
- 12" of side shift each way
- Hydraulic pile slope
- Load sensing, hydrostatic-powered steering
- Independent brake & brake/declutch pedals
- 3-spool main control valve (lift, tilt, attachment)
- Load-sensing steering & brake pump
- Upswept exhaust
- Warning lights
 - Battery charge
 - Low engine oil pressure
 - High transmission oil temperature
 - Park & service brake
 - Low fuel level
 - Water in fuel
 - High engine water temperature
- Clogged air filter
- Hydraulic transmission filter
- Lockable battery isolator
- 7" touch-screen multi-function display
 - Fuel gauge
 - Hour meter
 - Speedometer/Tachometer
 - Water temperature gauge
 - Engine oil pressure indicator
 - Parking brake indicator
 - DEF fluid indicators
 - Turn signal indicators
 - Estimated load weight indicator
 - Service and operator manuals
 - Pre-operation checklist (upon request)¹
 - Pin code entry system
 - Fuse/relay diagnostics

DURABILITY

- Force-cooled wet disc brakes
- Planetary drive axle rated for durability in high-capacity, off-road applications
- Heavy-duty, welded steer axle
- Rigidly constructed welded frame
- Precleaner
- Engine protection system
- High-capacity cooling system
- Open core radiator with fan shroud
- Welded-nested mast rails
- 12-volt electrical system with 12V starter motor & alternator
- Two 12V batteries, each rated at 1300 cold cranking amps
- Two-stage heavy-duty air cleaner
- 2 stage wide visible mast (V)
- Polymer steer axle articulation stops

ERGONOMICS/CABIN

- LED forward-facing cab-mounted headlights (4)
- LED forward-facing front fender-mounted headlights (2)
- LED forward-facing mast-mounted headlights (2)
- LED forward-facing attachment-mounted spreader headlights (4)
- LED rearward-facing lights (2)
- LED forward-facing gallow lights (2)
- Stairway lighting
- Strobe light
- Forward & reverse travel alarms
- Single multifunction joystick control handle
- Key off headlights
- Side-view mirrors (right & left sides)
- Front indicator lights
- Rear combination lights (stop/turn/tail/back up) (2)
- Elevated operator cab (rear mounted)
- Dashless cab design for improved visibility
- Onboard load weighing system
- Front & rear windshield washer/wiper
- Top mounted windshield washer/wiper
- Individually controlled front/rear wipers
- Cabin doors with sliding windows
- LED twistlock indicator lights inside cab
- Tilt steering column
- Left-hand directional shift lever
- Adjustable air-ride seat with retractable seat belts
- Lockable doors with greaseable hinges
- Cab heater & defroster
- Tinted glass to minimize glare
- Four turn lock-to-lock steering wheel

SERVICEABILITY

- Electronic engine diagnostics with fault code history
- Easy-access filters
- Hydraulic multi-gauge
- Externally serviceable brakes
- Hinged engine compartment doors with gas struts
- External attachment spreader cylinders
- Bolt-on tanks, counterweights, cab super-structure, and stairways (removable)
- Powertrain access panels with quick-release latches

¹ Consult your local, authorized Toyota Dealer for customization options and pricing.

OPTIONAL EQUIPMENT

POWERTRAIN

- Precleaner
- Fitch fuel catalyst

LOAD HANDLING

- WTP/Pin module
- Rear container guides
- Twistlock snapshot camera system
- Trailer leg module (requires 275" wheelbase)
- Spreader beam slave attachments
- Container landing damage prevention system

COLD START AID

- Oil pan heater
- Engine block heater
- Hydraulic tank heater
- Fuel heater (diesel)
- Battery pad warmer
- Coolant preheater

CAB/CONTROLS

- Open cab (less doors, glass, wipers, heater)
- Air-conditioning
- AM/FM/CD with 2 speakers
- Auxillary 12V power supply (pass through studs)
- Top sunshade
- Rear sunshade
- Orange seatbelt
- Rearview mirror (center mount)
- Auxillary heater/front defrost
- Cab tilt
- 3-point seatbelt
- Floor-mounted computer stand

CHASSIS

- Counterweight towpin (recessed)
- Bellypan kit

INDICATORS & MISC.

- Forward camera system visibility aid
- Rear camera system visibility aid
- Dual camera system visibility aid
- Onboard load weighing system (with tape printer)
- Fire extinguisher (5 lb. cab mount)
- Fire extinguisher (20 lb. chassis mount)
- Fire suppression system -twin agent auto/manual
- Rear object detection radar
- 4-corner object detection radar
- Shock sensor warning system (w/ logging)
- Tire pressure monitoring system
- 2nd position keyswitch twistlock override
- Ground level E-stop stations (1 each side)
- Ground level monitoring kit (w/ DVR)
- French Canadian language

ELECTRICAL

- Jumpstart receptacle

LIGHTS/ALARMS

- Various HID work light upgrade options (fender & counterweight)
- Extra strobe (magnetic)
- Forward travel alarm

SERVICE/MAINTENANCE

- Central lubrication system
- Autolubrication system (chassis)
- Autolubrication system (spreader)
- Engine oil purification system
- Onboard battery trickle charger
- Onboard standalone generator

PAINT (REQUIRES PAINT CODE & MAP)

- Custom color (single or dual)
- Chevron striping on counterweight
- Intermodal tire striping

TIRE/WHEEL

- Foam-filled pneumatic tires
- Solid pneumatic tires (lugged)
- Solid pneumatic tires (smooth)

TRUCK SPECIFICATIONS

MODEL NUMBERS

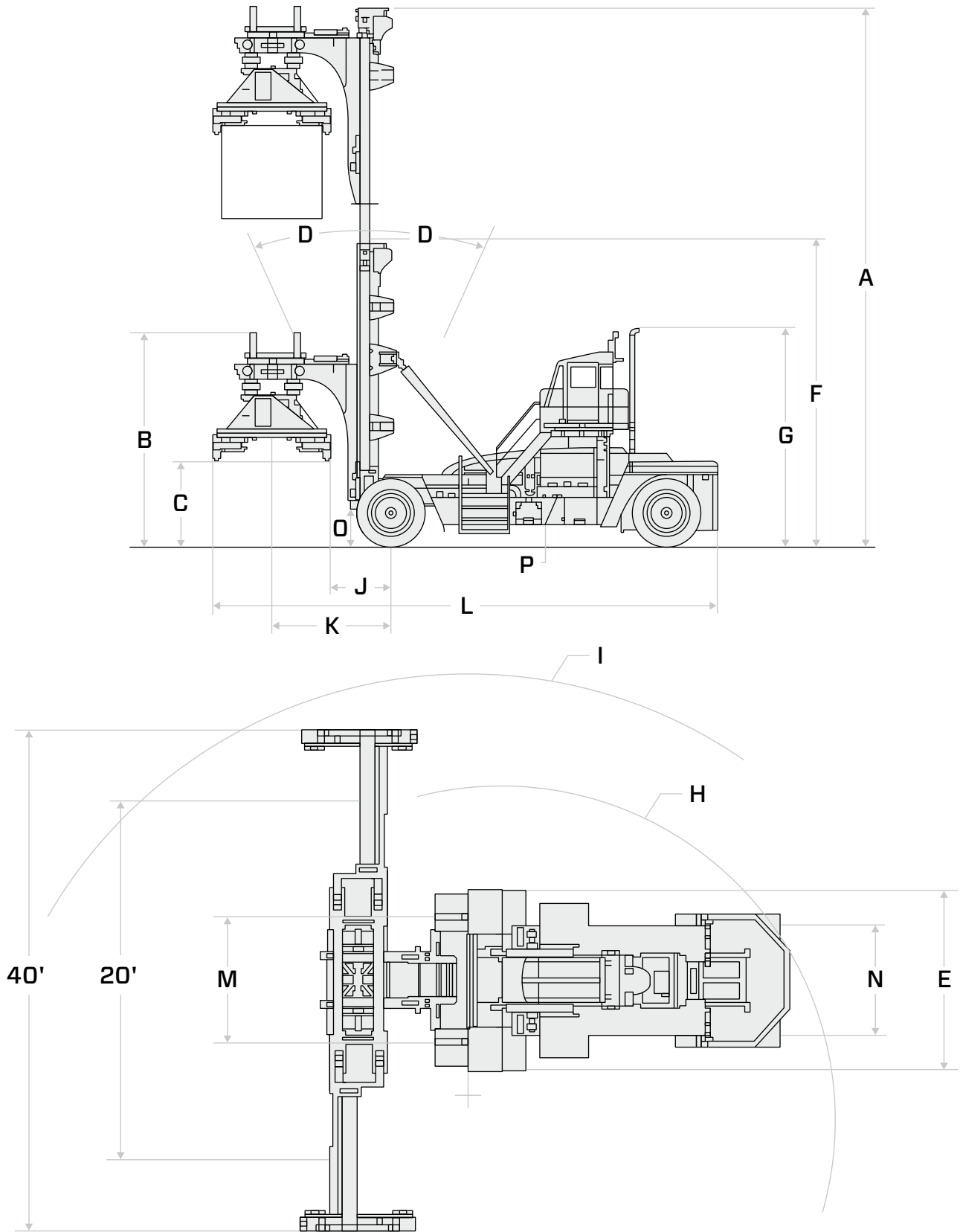
GENERAL DATA				THD9000-L3	THD9000-L4
Load Capacity (at 97" Load Center)		lb (kg)		90000 (40823) - 2 High	90000 (40823) - 2 High
Load Capacity (at 97" Load Center)		lb (kg)		90000 (40823) - 3 High	85000 (38556) - 4 High
Load Center		in (mm)		97 (2464)	97 (2464)
Power Type				Diesel	Diesel
Operator Position				Seated Rider	Seated Rider
Tire Type		Front / Rear		Pneumatic	Pneumatic
Wheels (x = driven)		Front / Rear		4x / 2	4x / 2
EXTERIOR DIMENSIONS				THD9000-L3	THD9000-L4
A	Mast Extended Height	in (mm)		507 (12878)	623 (15824)
	Free Lift	in (mm)		0 (0)	0 (0)
B	Height to Top of Attachment (Lowered) (T x W x L)	in (mm)		216 (5486)	216 (5486)
	Height to Top of Twistlock (Raised)	in (mm)		382.6 (9718)	498.6 (12664)
C	Height to Top of Twistlock (Lowered)	in (mm)		90 (2286)	90 (2286)
D	Tilt Range (Forward / Backward)	deg		5 / 10	5 / 10
E	Overall Width	in (mm)		172 (4369)	172 (4369)
F	Mast Lowered Height	in (mm)		257 (6528)	315 (8001)
G	Overhead Guard Height (Top of Cab)	in (mm)		196 (4978)	196 (4978)
H	Turning Radius (Outside)	in (mm)		320 (8128)	320 (8128)
I	Turning Radius (With 40 ft. Container)	in (mm)		386 (9804)	386 (9804)
J	Length to Load Face (Centerline of Front Axle to Front Face of Attachment)	in (mm)		37 (940)	37 (940)
K	Length to Load (Centerline of Front Axle to Center of Load)	in (mm)		97 (2464) / 106 (2692)	97 (2464) / 106 (2692)
L	Basic Right-Angle Stacking Aisle Width (Includes 24" Safety Margin) 20 ft. / 40 ft. Cont.	in (mm)		522 (13259) / 601 (15265)	522 (13259) / 601 (15265)
PERFORMANCE DATA				THD9000-L3	THD9000-L4
Speeds	Maximum Travel (forward / reverse)	Full Load	mph (km/h)	19.2 (30.9)	19.2 (30.9)
		No Load	mph (km/h)	19.2 (30.9)	19.2 (30.9)
	Lifting	Full Load	fpm (mm/sec)	47 (239)	47 (239)
		No Load	fpm (mm/sec)	50 (254)	50 (254)
	Lowering	Full Load	fpm (mm/sec)	60 (300)	60 (300)
		No Load	fpm (mm/sec)	60 (300)	60 (300)
Drawbar Pull	Maximum	Full Load	lb (kg)	26572 (12053)	26392 (11971)
		No Load	lb (kg)	28372 (12869)	28192 (12788)
Gradeability	1 mph (1.5km/h)	Full Load	%	7.1	6.7
	Maximum	Full Load	%	11.5	11.1
		No Load	%	18.4	17.4
TRUCK WEIGHTS				THD9000-L3	THD9000-L4
Total Weight		lb (kg)		168578 (76466)	177568 (80544)
Weight Distribution	Full Load (front / rear)	lb (kg)		225851 (102445) / 32727 (14845)	234841 (106523) / 32727 (14845)
	No Load (front / rear)	lb (kg)		90470 (41037) / 78108 (35430)	99460 (45115) / 78108 (35430)
TIRES				THD9000-L3	THD9000-L4
Tires	Number (front / rear)			4 / 2	4 / 2
	Size (front / rear)			18.00-25-40PR / 18.00-25-40PR	18.00-25-40PR / 18.00-25-40PR
Wheelbase		in (mm)		236 (5994)	236 (5994)
M	Tread Width (front)		in (mm)	120 (3048)	120 (3048)
N	Tread Width (rear)		in (mm)	105 (2667)	105 (2667)
O	Underclearance (full load)	Minimum with Load	in (mm)	16 (406)	16 (406)
		Center of Wheelbase	in (mm)	21 (533)	21 (533)
P	Brake		Service (foot) / Parking	Wet disc / Caliper	Wet disc / Caliper
POWER SYSTEM				THD9000-L3	THD9000-L4
Battery		V		12	12
Internal Combustion Engine	Make / Model			CUMMINS 8.9L QSL9	CUMMINS 8.9L QSL9
	Rated Horsepower @ rpm	SAE HP		380 @ 2100	380 @ 2100
		(kW)		(283 @ 2100)	(283 @ 2100)
	Rated Torque @ rpm	SAE ft-lb		1201 @ 1500	1201 @ 1500
		(N-m)		(1628 @ 1500)	(1628 @ 1500)
	Number of Cylinders			6	6
Piston Displacement		cu in (cc)		660 (10815)	660 (10815)
Fuel Tank Capacity		US gal (liter)		155 (587)	155 (587)
Transmission	Type			POWERSHIFT - AUTOSHIFT	POWERSHIFT - AUTOSHIFT
	Speeds (forward / reverse)			3 / 3	3 / 3
Auxiliary Hydraulic Function Specifications (for attachments)	Max. Operating Pressure		psi (kg/cm2)	3125 (220)	3125 (220)
	Max. Flow Rate		gpm (lpm)	TBD	TBD

TRUCK SPECIFICATIONS

MODEL NUMBERS

GENERAL DATA				THD8600-L5	THD8000-L6
Load Capacity (at 97" Load Center)		lb (kg)		86000 (39009) - 2 High	80000 (36287) - 2 High
Load Capacity (at 97" Load Center)		lb (kg)		76000 (34473) - 5 High	75000 (34020) - 6 High
Load Center		in (mm)		97 (2464)	97 (2464)
Power Type				Diesel	Diesel
Operator Position				Seated Rider	Seated Rider
Tire Type		Front / Rear		Pneumatic	Pneumatic
Wheels (x = driven)		Front / Rear		4x / 2	4x / 2
EXTERIOR DIMENSIONS				THD8600-L5	THD8000-L6
A	Mast Extended Height	in (mm)		731 (18567)	847 (21514)
	Free Lift	in (mm)		0 (0)	0 (0)
B	Height to Top of Attachment (Lowered) (T x W x L)	in (mm)		216 (5486)	216 (5486)
	Height to Top of Twistlock (Raised)	in (mm)		606.6 (15408)	722.6 (18354)
C	Height to Top of Twistlock (Lowered)	in (mm)		90 (2286)	90 (2286)
D	Tilt Range (forward / backward)	deg		5 / 10	5 / 10
E	Overall Width	in (mm)		172 (4369)	172 (4369)
F	Mast Lowered Height	in (mm)		373 (9474)	431 (10947)
G	Overhead Guard Height (Top of Cab)	in (mm)		196 (4978)	196 (4978)
H	Turning Radius (Outside)	in (mm)		320 (8128)	320 (8128)
I	Turning Radius (With 40 ft. Container)	in (mm)		386 (9804)	386 (9804)
J	Length to Load Face (Centerline of Front Axle to Front Face of Attachment)	in (mm)		37 (940)	37 (940)
K	Length to Load (Centerline of Front Axle to Center of Load)	in (mm)		97 (2464) / 106 (2692)	97 (2464) / 106 (2692)
L	Basic Right-Angle Stacking Aisle Width (Includes 24" Safety Margin) 20 ft. / 40 ft. Cont.	in (mm)		522 (13259) / 601 (15265)	522 (13259) / 601 (15265)
PERFORMANCE DATA				THD8600-L5	THD8000-L6
Speeds	Maximum Travel (forward / reverse)	Full Load	mph (km/h)	19.2 (30.9)	20 (33)
		No Load	mph (km/h)	19.2 (30.9)	20 (33)
	Lifting	Full Load	fpm (mm/sec)	47 (239)	47 (239)
		No Load	fpm (mm/sec)	50 (254)	50 (254)
	Lowering	Full Load	fpm (mm/sec)	60 (300)	60 (300)
		No Load	fpm (mm/sec)	60 (300)	60 (300)
Drawbar Pull	Maximum	Full Load	lb (kg)	26214 (11891)	24802 (11250)
		No Load	lb (kg)	28014 (12707)	26602 (12067)
Gradeability	1 mph (1.5km/h)	Full Load	%	6.3	5.9
	Maximum	Full Load	%	10.7	9.8
		No Load	%	16.5	15
TRUCK WEIGHTS				THD8600-L5	THD8000-L6
Total Weight		lb (kg)		186500 (84596)	195374 (88621)
Weight Distribution	Full Load (front / rear)	lb (kg)		243773 (110575) / 32727 (14845)	252647 (114600) / 32727 (14845)
	No Load (front / rear)	lb (kg)		108392 (49166) / 78108 (35430)	117266 (53192) / 78108 (35430)
TIRES				THD8600-L5	THD8000-L6
Tires	Number (front / rear)			4 / 2	4 / 2
	Size (front / rear)			18.00-25-40PR / 18.00-25-40PR	21.00-25-40PR / 18.00-25-40PR
Wheelbase		in (mm)		236 (5994)	236 (5994)
M	Tread Width (front)	in (mm)		120 (3048)	120 (3048)
N	Tread Width (rear)	in (mm)		105 (2667)	105 (2667)
O	Underclearance (full load)	Minimum with Load (N)	in (mm)	16 (406)	16 (406)
		Center of Wheelbase (O)	in (mm)	21 (533)	21 (533)
P	Brake (P)	Service (foot) / Parking		Wet disc / Caliper	Wet disc / Caliper
POWER SYSTEM				THD8600-L5	THD8000-L6
Battery		V		12	12
Internal Combustion Engine	Make / Model			CUMMINS 8.9L QSL9	CUMMINS 8.9L QSL9
	Rated Horsepower @ rpm	SAE HP		380 @ 2100	380 @ 2100
		(kW)		(283 @ 2100)	(283 @ 2100)
	Rated Torque @ rpm	SAE ft-lb		1201 @ 1500	1201 @ 1500
		(N-m)		(1628 @ 1500)	(1628 @ 1500)
	Number of Cylinders			6	6
Piston Displacement		cu in (cc)		660 (10815)	660 (10815)
Fuel Tank Capacity		US gal (liter)		155 (587)	155 (587)
Transmission	Type			POWERSHIFT - AUTOSHIFT	POWERSHIFT - AUTOSHIFT
	Speeds (forward / reverse)			3 / 3	3 / 3
Auxiliary Hydraulic Function Specifications (for attachments)	Max. Operating Pressure		psi (kg/cm2)	3125 (220)	3125 (220)
	Max. Flow Rate		gpm (lpm)	TBD	TBD

EXTERIOR DIMENSIONS



MAST SPECIFICATIONS

MAST TYPE	MAST EXTENDED HEIGHT	OVERALL MAST LOWERED HEIGHT	FREE-LIFT	TILT RANGE		LOAD CAPACITY	
				FWD	BWD	2 HIGH @ 97" LOAD CENTER	3 HIGH @ 97" LOAD CENTER
				deg	deg	lb (kg)	lb (kg)
THD9000-L3							
Wide Visible (V)	571 (14491)	257 (6528)	0 (0)	5	10	90000 (40823)	90000 (40823)

MAST TYPE	MAST EXTENDED HEIGHT	OVERALL MAST LOWERED HEIGHT	FREE-LIFT	TILT RANGE		LOAD CAPACITY	
				FWD	BWD	2 HIGH @ 97" LOAD CENTER	4 HIGH @ 97" LOAD CENTER
				deg	deg	lb (kg)	lb (kg)
THD9000-L4							
Wide Visible (V)	623 (15824)	315 (8001)	0 (0)	5	10	90000 (40823)	85000 (83556)

MAST TYPE	MAST EXTENDED HEIGHT	OVERALL MAST LOWERED HEIGHT	FREE-LIFT	TILT RANGE		LOAD CAPACITY	
				FWD	BWD	2 HIGH @ 97" LOAD CENTER	5 HIGH @ 97" LOAD CENTER
				deg	deg	lb (kg)	lb (kg)
THD8600-L5							
Wide Visible (V)	731 (18567)	373 (9474)	0 (0)	5	10	86000 (39009)	76000 (34473)

MAST TYPE	MAST EXTENDED HEIGHT	OVERALL MAST LOWERED HEIGHT	FREE-LIFT	TILT RANGE		LOAD CAPACITY	
				FWD	BWD	2 HIGH @ 97" LOAD CENTER	6 HIGH @ 97" LOAD CENTER
				deg	deg	lb (kg)	lb (kg)
THD8000-L6							
Wide Visible (V)	847 (21514)	431 (10947)	0 (0)	5	10	80000 (36287)	75000 (34020)

Some product features described herein are optional. Please consult your dealer for specifications.
Details of specifications and equipment are based on information available at time of printing and may change without notice.

