

HIGH-CAPACITY IC PNEUMATIC



30000 - 125000 LBS.

SPECIFICATIONS



- ▶ THD3000-3600S-24
- ▶ THD3600-3600S-36
- ▶ THD3600-12500-48

HIGH-CAPACITY IC PNEUMATIC

CAPACITY
30000 - 125000 LBS.

MAXIMUM FORK HEIGHT
504 IN.

LOAD CENTER
24 - 48 IN.

INDUSTRIES



Agriculture



Brick,
Block & Pipe



Concrete



General
Manufacturing



Intermodal/Port



Lumber



Mining



Oil & Gas



Steel/Metals

STANDARD FEATURES

DURABILITY

- Force-cooled wet disc brakes
- AxleTech® planetary drive axle rated for durability in high-capacity, off-road applications
- Rigidly constructed welded frame
- Engine protection system
- High-capacity cooling system
- Open-core radiator with fan shroud
- Welded-nested mast rails
- Pin-type forks
- 12-Volt electrical system with two 12V batteries
- 2-stage heavy-duty air cleaner
- Wide visible 2-stage mast (V)
- High air intake with precleaner

SUPPORT

- Electrical horn
- Asbestos-free components
- Neutral safety switch
- Integrated overhead guard
- Operator Restraint System seat
- Orange forks
- Operator Presence Sensing System (OPSS)

PERFORMANCE

- CUMMINS® 6.7-liter¹ or 8.9-liter², 6-cylinder Tier 4 Final diesel engine
 - Common-rail electronic fuel injection system
 - Turbocharged & intercooled
 - Self-regenerating DPF
 - SCR (Selective Catalytic Reduction)
- Dana TE-14 Series Transmission¹
- Dana 36000 Series Transmission²
- Full hydraulic power steering
- 2-function hydraulic control valve (lift & tilt)
- Independent brake & declutch pedals
- Warning light for parking brake (release)
- Upswept exhaust
- 7" color touch-screen multi-function display
 - Fuel gauge
 - Hour meter
- Speedometer/Tachometer
- Water temperature gauge
- Engine oil pressure indicator
- Parking brake indicator
- DEF fluid indicators
- Turn signal indicators
- Service and operator manuals
- Pre-operation checklist (upon request)³
- Pin code entry system
- Fuse/relay diagnostics

ERGONOMICS/CABIN

- Strobe light
- Back up alarm
- Fingertip hydraulic controls
- Key off headlights
- Side-view mirrors (right & left sides)
- Turn signal lights
- Front indicator lights
- Rear combination (stop/turn/tail/back up) lights
- Dashless cab design for improved visibility
- Tilt steering column
- Left-hand shift lever
- Long operator assist grips
- Insulated floor, cab walls & doors
- LED forward-facing cab-mounted headlights (4)
- LED forward-facing front fender-mounted headlights (2)
- LED forward-facing mast-mounted headlights (2)
- LED rearward-facing lights (2)
- Adjustable air-ride seat with retractable seat belts
- Lockable doors with greaseable hinges
- Cab heater & operator fan
- Spring-apply/hydraulic-release parking brake
- Individually controlled front/rear wipers
- Tinted glass to minimize glare

SERVICEABILITY

- Electronic engine diagnostics with fault code history
- Easy-access filters
- Easy-lift hoods, panels & doors
- Hydraulic multi-gauge
- Hinged engine compartment doors with gas struts
- Externally serviceable brakes
- Powertrain access panels with quick-release latches

¹ Standard on models: THD3000-3600S-24 | THD3600-3600S-36 | THD3600-7200-48.

² Standard on models: THD8000-12500-48.

³ Consult your local, authorized Toyota Dealer for customization options and pricing.

OPTIONAL EQUIPMENT

CARRIAGE

- Sideshifter
- Fork positioner (dependant)
- Fork positioner (independent)
- SS/FP (dependant)
- SS/FP (independent)
- Fork-mounted 20' fixed top pick
- Fork-mounted 20'/40' top pick spreader

TIRE/WHEEL

- Foam-filled pneumatic tires
- Non-marking solid pneumatics
- Solid pneumatics

COLD START AID

- Oil pan heater
- Engine block heater
- Hydraulic tank heater
- Battery pad warmer
- Coolant preheater

CAB/CONTROLS

- Open cab (less doors, glass, wipers, heat)
- Air-conditioning
- Top wiper/wet arm
- AM/FM/CD with 2 speakers
- Auxiliary heater/front defrost
- Auxiliary 12V power supply (pass through studs)
- 12V socket (cigarette lighter-style)
- Top sunshade
- Rear sunshade
- Single joystick control
- Orange seatbelt
- Rearview mirror (center mount)

INDICATORS & MISC.

- Forward camera system visibility aid
- Rear camera system visibility aid
- Dual camera system visibility aid
- Overload warning indicator
- Onboard load weighing system
- Fire extinguisher (5 lb. cab mount)
- Fire extinguisher (20 lb. chassis mount)
- Rear object detection radar
- Shock sensor warning system (with logging)
- Tire pressure monitoring system
- French Canadian language
- Estimated load weight indicator

HYDRAULIC

- High-speed hydraulics
- Lift accumulator
- Tilt accumulator

ELECTRICAL

- Jumpstart receptacle
- Lockable battery isolator

LIGHTS/ALARMS

- Hid work light upgrade (fender & counterweight)
- Self-adjusting backup alarm
- Air horn with compressor & reservoir
- Extra strobe (magnetic)

SERVICE/MAINTENANCE

- Central lubrication system
- Autolubrication system

PAINT (REQUIRES PAINT CODE & MAP)

- Custom color (single)
- Chevron striping on counterweight



 **TOYOTA**

TOYOTA

BEKO

TRUCK SPECIFICATIONS

MODEL NUMBERS

		THD3000-24	THD3300-24	THD3300S-24	THD3600-24	THD3600S-24	THD3600-36
Load Capacity	lb (kg)	30000 (13610)	33000 (14970)	33000 (14970)	36000 (16330)	36000 (16330)	36000 (16330)
Load Center	in (mm)	24 (610)	24 (610)	24 (610)	24 (610)	24 (610)	36 (914)
Brakes (service foot / parking)					Caliper / Disc		
Transmission	Type	PowerShift					
	Speeds (fwd. / rev.)	mph 3 / 3					
Internal Combustion Engine	Make / Model	CUMMINS 6.7L					
	Rated Horsepower @ rpm	SAE HP (kW)	164 @ 2500 (122 @ 1500)	164 @ 2500 (122 @ 1500)	164 @ 2500 (122 @ 1500)	164 @ 2500 (122 @ 1500)	164 @ 2500 (122 @ 1500)
	Rated Torque @ rpm	SAE ft-lb (N-m)	540 @ 1500 (732 @ 1500)	540 @ 1500 (732 @ 1500)	540 @ 1500 (732 @ 1500)	540 @ 1500 (732 @ 1500)	540 @ 1500 (732 @ 1500)
Battery	Voltage	V	12	12	12	12	12

EXTERIOR DIMENSIONS		THD3000-24	THD3300-24	THD3300S-24	THD3600-24	THD3600S-24	THD3600-36
A	Mast Extended Height	in (mm)	220 (5588)	220 (5588)	220 (5588)	220 (5588)	220 (5588)
B	Mast Lowered Height	in (mm)	142 (3607)	142 (3607)	142 (3607)	142 (3607)	142 (3607)
C	Maximum Fork Height (MFH) (top of forks)	in (mm)	144 (3658)	144 (3658)	144 (3658)	144 (3658)	144 (3658)
D	Load Distance ¹	in (mm)	36.5 (927)	36.5 (927)	36.5 (927)	36.5 (927)	42.5 (1080)
E	Wheelbase	in (mm)	115 (2921)	136 (3454)	115 (2921)	136 (3454)	115 (2921)
F	Fork Size (T x W x L)	in (mm)	3 (76) x 7 (178) x 48 (1219.2)	3 (76) x 8 (200) x 48 (1219.2)	3 (76) x 8 (200) x 48 (1219.2)	3 (76) x 8 (200) x 48 (1219.2)	3 (76) x 8 (200) x 48 (1219.2)
G	Length to Fork Face	in (mm)	185.9 (4722)	207 (5265)	185.9 (4722)	211 (5232)	190 (4826)
H	Overhead Guard Clearance	in (mm)	131.50 (3340)	131.50 (3340)	131.50 (3340)	131.50 (3340)	131.50 (3340)
I	Tilt Range (forward / backward)	deg	10 / 8	10 / 8	10 / 8	10 / 8	10 / 8
J	Outside Turning Radius	in (mm)	166.6 (4232)	190 (4826)	166.6 (4232)	200 (5080)	169 (4293)
K	Basic Right Angle Stacking Aisle Width ²	in (mm)	203.2 (5161)	227 (5766)	203.2 (5161)	237 (6020)	206 (5232)
L	Overall Width	in (mm)	103 (2606)	103 (2606)	103 (2606)	103 (2606)	103 (2606)
M	Tread Width	Front	in (mm)	75 (1902)	75 (1902)	75 (1902)	75 (1902)
		Rear	in (mm)	79 (2007)	79 (2007)	79 (2007)	79 (2007)
N	Underclearance (full load)	Minimum with Load	in (mm)	9.4 (240)	9.4 (240)	9.4 (240)	9.4 (240)
		Center of Wheelbase	in (mm)	11.8 (300)	11.8 (300)	11.8 (300)	11.8 (300)

FUEL CAPACITY		THD3000-24	THD3300-24	THD3300S-24	THD3600-24	THD3600S-24	THD3600-36
Fuel Tank	US gal	57 (216)	86 (326)	57 (216)	86 (326)	57 (216)	57 (216)

TRUCK WEIGHTS		THD3000-24	THD3300-24	THD3300S-24	THD3600-24	THD3600S-24	THD3600-36
Gross Weight (empty)	lb (kg)	46999 (21318)	45297 (20546)	48968 (22212)	46981 (21310)	51156 (23204)	55986 (25395)
Weight Distribution	Front - Full Load	lb (kg)	71629 (32490)	73302 (33249)	75583 (34284)	77532 (35168)	80712 (36610)
	Rear - Full Load	lb (kg)	5370 (2436)	4995 (2266)	6385 (2896)	5449 (2472)	6444 (2923)
	Front - No Load	lb (kg)	25716 (11665)	25501 (11567)	25078 (11375)	25385 (11514)	25616 (11619)
	Rear - No Load	lb (kg)	21283 (9654)	19796 (8979)	23890 (10836)	21596 (9796)	25540 (11585)

ATTACHMENT		THD3000-24	THD3300-24	THD3300S-24	THD3600-24	THD3600S-24	THD3600-36
Auxiliary Hydraulic Function (for attachments)	Max. Operating Pressure	psi (kg/cm ²) (MPa)	2700 (190) (18.6)	2700 (190) (18.6)	2700 (190) (18.6)	2700 (190) (18.6)	2700 (190) (18.6)
	Max Flow Rate	gpm	70	70	70	70	70

TIRES		THD3000-24	THD3300-24	THD3300S-24	THD3600-24	THD3600S-24	THD3600-36
Type (front / rear)	Pneumatic / Pneumatic						
Number	Front / Rear	4 / 2					
Size	Front	12.00 x 20 x 20PR	12.00 x 20 x 20PR	12.00 x 20 x 20PR	12.00 x 20 x 20PR	12.00 x 20 x 20PR	12.00 x 20 x 20PR
	Rear	12.00 x 20 x 20PR	12.00 x 20 x 20PR	12.00 x 20 x 20PR	12.00 x 20 x 20PR	12.00 x 20 x 20PR	12.00 x 20 x 20PR

1 Centerline of front axle to front face of forks.
2 Add load length & aisle clearance.

TRUCK SPECIFICATIONS

			MODEL NUMBERS					
			THD3600S-36	THD3600-48	THD4000-48	THD4500-48	THD4500S-48	
Load Capacity	lb (kg)		36000 (16330)	36000 (16330)	40000 (18144)	45000 (20412)	45000 (20412)	
Load Center	in (mm)		36 (914)	48 (1219)	48 (1219)	48 (1219)	48 (1219)	
Brakes (service foot / parking)			Caliper / Disc					
Transmission	Type		PowerShift	PowerShift	PowerShift	PowerShift - Autoshift	PowerShift - Autoshift	
	Speeds (fwd. / rev.)	mph	3 / 3					
Make / Model			CUMMINS 6.7L					
Internal Combustion Engine	Rated Horsepower @ rpm	SAE HP (kW)	164 @ 2500 (122 @ 1500)	164 @ 2500 (122 @ 1500)	164 @ 2500 (122 @ 1500)	260 @ 2500 (193 @ 1500)	260 @ 2500 (193 @ 1500)	
	Rated Torque @ rpm	SAE ft-lb (N-m)	540 @ 1500 (732 @ 1500)	540 @ 1500 (732 @ 1500)	540 @ 1500 (732 @ 1500)	728 @ 1500 (987 @ 1500)	728 @ 1500 (987 @ 1500)	
Battery	Voltage	V	12	12	12	12	12	
EXTERIOR DIMENSIONS			THD3600S-36	THD3600-48	THD4000-48	THD4500-48	THD4500S-48	
A	Mast Extended Height	in (mm)	220 (5588)	220 (5588)	220 (5588)	234 (5944)	234 (5944)	
B	Mast Lowered Height	in (mm)	142 (3607)	150 (3810)	150 (3810)	154 (3912)	154 (3912)	
C	Maximum Fork Height (MFH) (top of forks)	in (mm)	144 (3658)	144 (3658)	144 (3658)	144 (3658)	144 (3658)	
D	Load Distance ¹	in (mm)	42.5 (1080)	42.5 (1080)	42.5 (1080)	48 (1219)	48 (1219)	
E	Wheelbase	in (mm)	115 (2921)	136 (3454)	144 (3658)	170 (4318)	144 (3658)	
F	Fork Size (T x W x L)	in (mm)	3 (76) x 8 (200) x 72 (1828.8)	.5 (114) x 10 (254) x 96 (2438.4)	3 (76) x 8 (200) x 96 (2438.4)	.5 (114) x 11 (279) x 96 (2438.4)	.5 (114) x 11 (279) x 96 (2438.4)	
G	Length to Fork Face	in (mm)	190.5 (4839)	211 (5359)	218 (5532)	263 (6680)	234.9 (5966)	
H	Overhead Guard Clearance	in (mm)	131.50 (3340)	131.50 (3340)	TBD	TBD	TBD	
I	Tilt Range (forward / backward)	deg	10 / 8	10 / 8	12 / 9	12 / 9	12 / 9	
J	Outside Turning Radius	in (mm)	169 (4293)	200 (5080)	207 (5257)	255 (6477)	226.6 (5756)	
K	Basic Right Angle Stacking Aisle Width ²	in (mm)	206.5 (5245)	242 (6147)	252 (6401)	305 (7747)	276.3 (7018)	
L	Overall Width	in (mm)	103 (2606)	103 (2606)	120 (3048)	120 (3048)	120 (3048)	
M	Tread Width	Front	in (mm)	75 (1902)	75 (1902)	86 (2184)	86 (2184)	86 (2184)
		Rear	in (mm)	79 (2007)	75 (1902)	92 (2337)	92 (2337)	92 (2337)
O	Underclearance (full load)	Minimum with Load	in (mm)	9.4 (240)	9.4 (240)	5.4 (137)	5.4 (137)	5.4 (137)
		Center of Wheelbase	in (mm)	11.8 (300)	11.8 (300)	14.3 (363)	14.3 (363)	14.3 (363)
FUEL CAPACITY			THD3600S-36	THD3600-48	THD4000-48	THD4500-48	THD4500S-48	
Fuel Tank	US gal		57 (216)	57 (216)	57 (216)	110 (416)	97 (367)	
TRUCK WEIGHTS			THD3600S-36	THD3600-48	THD4000-48	THD4500-48	THD4500S-48	
Gross Weight (empty)	lb (kg)		58973 (26750)	60207 (27309)	61725 (27998)	77928 (35348)	83017 (37656)	
Weight Distribution	Front - Full Load	lb (kg)	87260 (39580)	88166 (39991)	93288 (42314)	116416 (52805)	120329 (54580)	
	Rear - Full Load	lb (kg)	7713 (3499)	8041 (3647)	8437 (3827)	6512 (2954)	7688 (3487)	
	Front - No Load	lb (kg)	28408 (12886)	28342 (12856)	28288 (12831)	45369 (20579)	44580 (20221)	
	Rear - No Load	lb (kg)	30565 (13864)	31865 (14454)	33437 (15167)	32559 (14768)	38437 (17435)	
ATTACHMENT			THD3600S-36	THD3600-48	THD4000-48	THD4500-48	THD4500S-48	
Auxiliary Hydraulic Function (for attachments)	Max. Operating Pressure	psi (kg/cm ²) (MPa)	2700 (190) (18.6)	2700 (190) (18.6)	2700 (190) (18.6)	2700 (190) (18.6)	2700 (190) (18.6)	
	Max Flow Rate	gpm	70	70	70	70	70	
TIRES			THD3600S-36	THD3600-48	THD4000-48	THD4500-48	THD4500S-48	
Type (front / rear)			Pneumatic / Pneumatic					
Number	Front / Rear		4 / 2					
Size	Front		12.00 x 20 x 20PR	12.00 x 20 x 20PR	12.00 x 20 x 20PR	14.00 x 24 x 24PR	14.00 x 24 x 24PR	
	Rear		12.00 x 20 x 20PR	12.00 x 20 x 20PR	12.00 x 20 x 20PR	14.00 x 24 x 24PR	14.00 x 24 x 24PR	

1 Centerline of front axle to front face of forks.
 2 Add load length & aisle clearance.

MODEL NUMBERS

		THD5000-48	THD5200-48	THD5500-48	THD6000-48	THD6500-48	
Load Capacity	lb (kg)	50000 (22680)	52000 (23587)	55000 (24948)	60000 (27216)	65000 (29483)	
Load Center	in (mm)	48 (1219)	48 (1219)	48 (1219)	48 (1219)	48 (1219)	
Brakes (service foot / parking)		Caliper / Disc					
Transmission	Type	PowerShift - Autoshift					
	Speeds (fwd. / rev.)	mph 3 / 3					
Internal Combustion Engine	Make / Model	CUMMINS 6.7L					
	Rated Horsepower @ rpm	SAE HP (kW)	260 @ 2500 (193 @ 1500)	260 @ 2500 (193 @ 1500)	260 @ 2500 (193 @ 1500)	260 @ 2500 (193 @ 1500)	260 @ 2500 (193 @ 1500)
	Rated Torque @ rpm	SAE ft-lb (N-m)	728 @ 1500 (987 @ 1500)	728 @ 1500 (987 @ 1500)	728 @ 1500 (987 @ 1500)	728 @ 1500 (987 @ 1500)	728 @ 1500 (987 @ 1500)
Battery	Voltage	V	12	12	12	12	

EXTERIOR DIMENSIONS		THD5000-48	THD5200-48	THD5500-48	THD6000-48	THD6500-48	
A	Mast Extended Height	in (mm)	234 (5944)	234 (5944)	234 (5944)	234 (5944)	
B	Mast Lowered Height	in (mm)	154 (3912)	154 (3912)	154 (3912)	154 (3912)	
C	Maximum Fork Height (MFH) (top of forks)	in (mm)	144 (3658)	144 (3658)	144 (3658)	144 (3658)	
D	Load Distance ¹	in (mm)	48 (1219)	48 (1219)	48 (1219)	48 (1219)	
E	Wheelbase	in (mm)	170 (4318)	170 (4318)	170 (4318)	174 (4420)	
F	Fork Size (T x W x L)	in (mm)	.5 (114) x 12 (305) x 96 (2438.4)	.5 (114) x 12 (305) x 96 (2438.4)	5 (127) x 12 (305) x 96 (2438.4)	5 (127) x 12 (305) x 96 (2438.4)	5 (127) x 12 (305) x 96 (2438.4)
G	Length to Fork Face	in (mm)	263 (6680)	263 (6680)	263 (6680)	263 (6680)	
H	Overhead Guard Clearance	in (mm)	TBD	TBD	TBD	TBD	
I	Tilt Range (forward / backward)	deg	12 / 9	12 / 9	12 / 9	12 / 9	
J	Outside Turning Radius	in (mm)	255 (6477)	255 (6477)	255 (6477)	265 (6731)	
K	Basic Right Angle Stacking Aisle Width ²	in (mm)	305 (7747)	305 (7747)	305 (7747)	315 (8001)	
L	Overall Width	in (mm)	120 (3048)	120 (3048)	120 (3048)	132 (3352)	
M	Tread Width	Front	in (mm)	92 (2337)	92 (2337)	86 (2184)	86 (2184)
N		Rear	in (mm)	92 (2337)	92 (2337)	92 (2337)	92 (2337)
O	Underclearance (full load)	Minimum with Load	in (mm)	5.4 (137)	5.4 (137)	5.4 (137)	10 (254)
P		Center of Wheelbase	in (mm)	14.3 (363)	14.3 (363)	14.3 (363)	17.5 (444)

FUEL CAPACITY		THD5000-48	THD5200-48	THD5500-48	THD6000-48	THD6500-48
Fuel Tank	US gal	110 (416)	110 (416)	110 (416)	110 (416)	110 (416)

TRUCK WEIGHTS		THD5000-48	THD5200-48	THD5500-48	THD6000-48	THD6500-48	
Gross Weight (empty)	lb (kg)	81272 (36864)	82612 (37472)	84620 (38383)	90000 (40823)	93349 (42342)	
Weight Distribution	Front - Full Load	lb (kg)	123919 (56209)	127087 (57646)	131661 (59720)	141320 (64102)	148943 (67559)
	Rear - Full Load	lb (kg)	7353 (3335)	7525 (3413)	7959 (3610)	8680 (3937)	9406 (4266)
	Front - No Load	lb (kg)	45095 (20455)	44988 (20406)	44826 (20333)	46590 (21133)	46320 (21010)
	Rear - No Load	lb (kg)	36177 (16410)	37624 (17066)	39794 (18050)	43410 (19690)	47029 (21332)

ATTACHMENT		THD5000-48	THD5200-48	THD5500-48	THD6000-48	THD6500-48
Auxiliary Hydraulic Function (for attachments)	Max. Operating Pressure	psi (kg/cm ²) (MPa)	2700 (190) (18.6)	2700 (190) (18.6)	2700 (190) (18.6)	2700 (190) (18.6)
	Max Flow Rate	gpm	70	70	70	70

TIRES		THD5000-48	THD5200-48	THD5500-48	THD6000-48	THD6500-48	
Type (front / rear)	Pneumatic / Pneumatic						
Number	Front / Rear	4 / 2					
Size	Front	14.00 x 24 x 24PR	14.00 x 24 x 24PR	14.00 x 24 x 24PR	16.00 x 25 x 28PR	16.00 x 25 x 28PR	
	Rear	14.00 x 24 x 24PR	14.00 x 24 x 24PR	14.00 x 24 x 24PR	16.00 x 25 x 28PR	16.00 x 25 x 28PR	

1 Centerline of front axle to front face of forks.
2 Add load length & aisle clearance.

TRUCK SPECIFICATIONS

			MODEL NUMBERS				
			THD7000-48	THD7200-48	THD8000-48	THD8000S-48	THD9250-48
Load Capacity	lb (kg)		70000 (31751)	72000 (32659)	80000 (36287)	80000 (36287)	92500 (41957)
Load Center	in (mm)		48 (1219)	48 (1219)	48 (1219)	48 (1219)	48 (1219)
Brakes (service foot / parking)			Caliper / Disc				
Transmission	Type	PowerShift - Autoshift					
	Speeds (fwd. / rev.)	mph	3 / 3				
Internal Combustion Engine	Make / Model		CUMMINS 6.7L	CUMMINS 6.7L	CUMMINS QSL9	CUMMINS QSL9	CUMMINS QSL9
	Rated Horsepower @ rpm	SAE HP (kW)	260 @ 2500 (193 @ 1500)	260 @ 2500 (193 @ 1500)	380 @ 2100 (283 @ 2100)	380 @ 2100 (283 @ 2100)	380 @ 2100 (283 @ 2100)
	Rated Torque @ rpm	SAE ft-lb (N-m)	728 @ 1500 (987 @ 1500)	728 @ 1500 (987 @ 1500)	1201 @ 1500 (1628 @ 1500)	1201 @ 1500 (1628 @ 1500)	1201 @ 1500 (1628 @ 1500)
Battery	Voltage	V	12	12	12	12	12
EXTERIOR DIMENSIONS			THD7000-48	THD7200-48	THD8000-48	THD8000S-48	THD9250-48
A	Mast Extended Height	in (mm)	234 (5944)	234 (5944)	229 (5817)	229 (5817)	277 (7036)
B	Mast Lowered Height	in (mm)	164 (4166)	164 (4166)	157 (3988)	157 (3988)	201 (5105)
C	Maximum Fork Height (MFH) (top of forks)	in (mm)	144 (3658)	144 (3658)	132 (3353)	132 (3353)	158 (4013)
D	Load Distance ¹	in (mm)	50.25 (1276)	50.25 (1276)	50 (1276)	50 (1276)	50.25 (1276)
E	Wheelbase	in (mm)	174 (4420)	174 (4420)	225 (5715)	190 (4826)	225 (5715)
F	Fork Size (T x W x L)	in (mm)	5 (127) x 12 (305) x 96 (2438.4)	5 (127) x 12 (305) x 96 (2438.4)	6 (140) x 12 (305) x 96 (2438)	5 (127) x 12 (305) x 96 (2438)	6 (152) x 12 (305) x 96 (2438)
G	Fork Spread (outer edge to edge) (standard 12" forks) Maximum / Minimum	in (mm)	—	—	124.00 (3150) / 30 (762)	124.00 (3150) / 30 (762)	115.00 (2921) / 55 (1397)
H	Length to Fork Face	in (mm)	263 (6680)	263 (6680)	325 (8255)	279 (7087)	325 (8255)
I	Overhead Guard Clearance	in (mm)	TBD	TBD	—	—	—
J	Tilt Range (forward / backward)	deg	12 / 9	12 / 9	15 / 10	15 / 10	15 / 10
K	Outside Turning Radius	in (mm)	265 (6731)	265 (6731)	305 (7752)	269 (6832)	305 (7752)
L	Basic Right Angle Stacking Aisle Width ²	in (mm)	315 (8001)	315 (8001)	356 (9028)	319 (8110)	364 (9244)
M	Overall Width	in (mm)	132 (3352)	132 (3352)	165 (4191)	165 (4191)	165 (4191)
N	Tread Width	Front	105 (2667)	105 (2667)	105 (2667)	105 (2667)	120 (3048)
		Rear	120 (3048)	120 (3048)	120 (3048)	120 (3048)	105 (2667)
P	Underclearance (full load)	Minimum with Load	15 (381)	15 (381)	10 (254)	15 (381)	10 (254)
		Center of Wheelbase	17.5 (444)	17.5 (444)	14 (363)	18 (444)	14 (363)
FUEL CAPACITY			THD7000-48	THD7200-48	THD8000-48	THD8000S-48	THD9250-48
Fuel Tank	US gal		110 (416)	110 (416)	153 (579)	153 (579)	153 (579)
TRUCK WEIGHTS			THD7000-48	THD7200-48	THD8000-48	THD8000S-48	THD9250-48
Gross Weight (empty)	lb (kg)		115580 (52426)	117200 (53161)	101523 (46050)	109559 (49696)	135429 (61430)
Weight Distribution	Front - Full Load	lb (kg)	169180 (76739)	16400 (7439)	171043 (77585)	177149 (80354)	214763 (97416)
	Rear - Full Load	lb (kg)	172332 (78168)	16868 (7652)	10480 (4754)	12410 (5629)	13166 (5972)
	Front - No Load	lb (kg)	57180 (25936)	58400 (26490)	56110 (25451)	55780 (25301)	78377 (35552)
	Rear - No Load	lb (kg)	57132 (25915)	60068 (27246)	45413 (20599)	53779 (24394)	57052 (25879)
ATTACHMENT			THD7000-48	THD7200-48	THD8000-48	THD8000S-48	THD9250-48
Auxiliary Hydraulic Function (for attachments)	Max. Operating Pressure	psi (kg/cm ²) (MPa)	2700 (190) (18.6)	2700 (190) (18.6)	—	—	—
	Max Flow Rate	gpm	70	70	—	—	—
TIRES			THD7000-48	THD7200-48	THD8000-48	THD8000S-48	THD9250-48
Type (front / rear)			Pneumatic / Pneumatic				
Number	Front / Rear		4 / 2				
Size	Front		16.00 x 25 x 28PR	16.00 x 25 x 28PR	18 x 25 x 40PR	18 x 25 x 40PR	21 x 25 x 40PR
	Rear		16.00 x 25 x 28PR	16.00 x 25 x 28PR	18 x 25 x 40PR	18 x 25 x 40PR	21 x 25 x 40PR

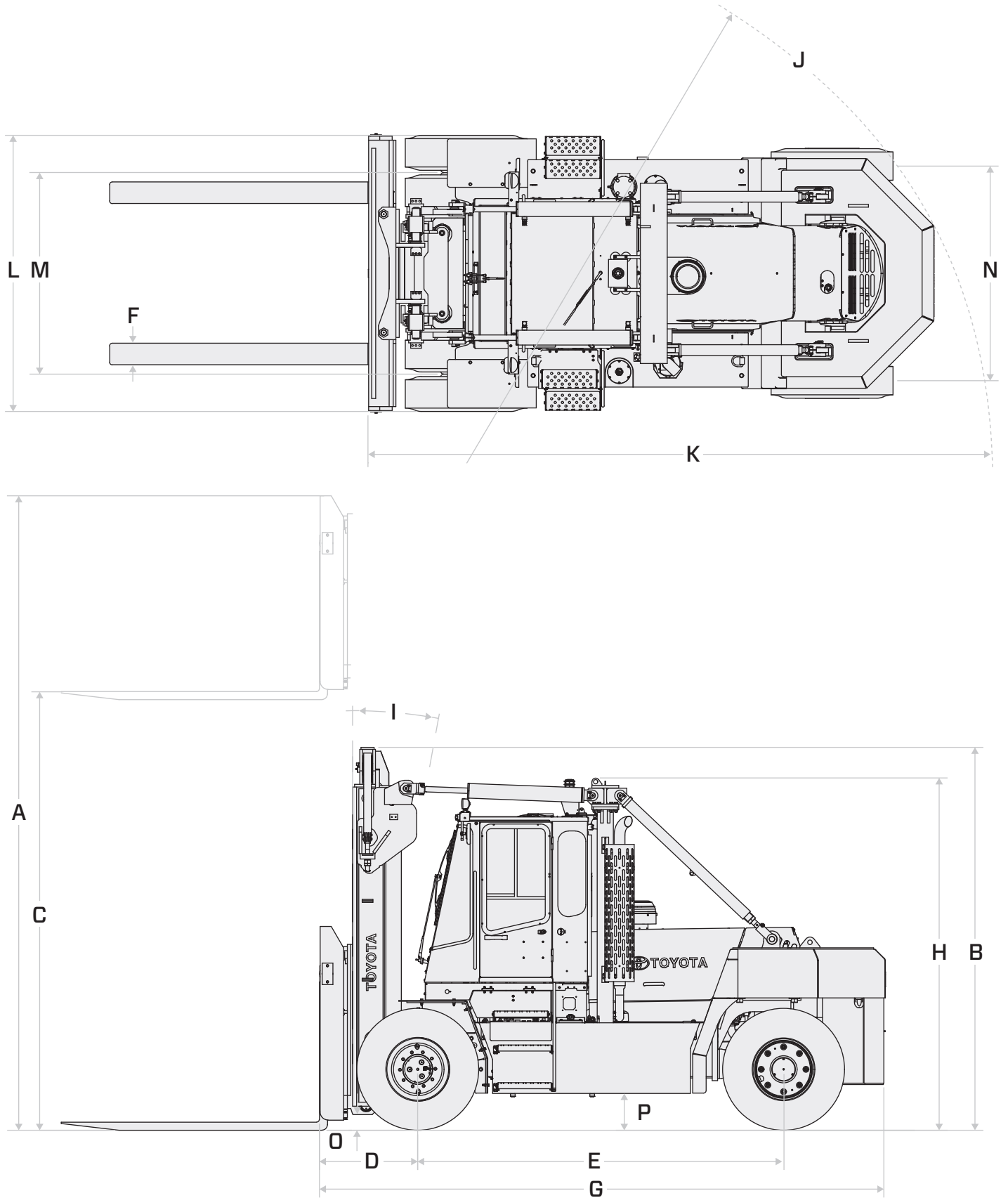
1 Centerline of front axle to front face of forks.
2 Add load length & aisle clearance.

MODEL NUMBERS

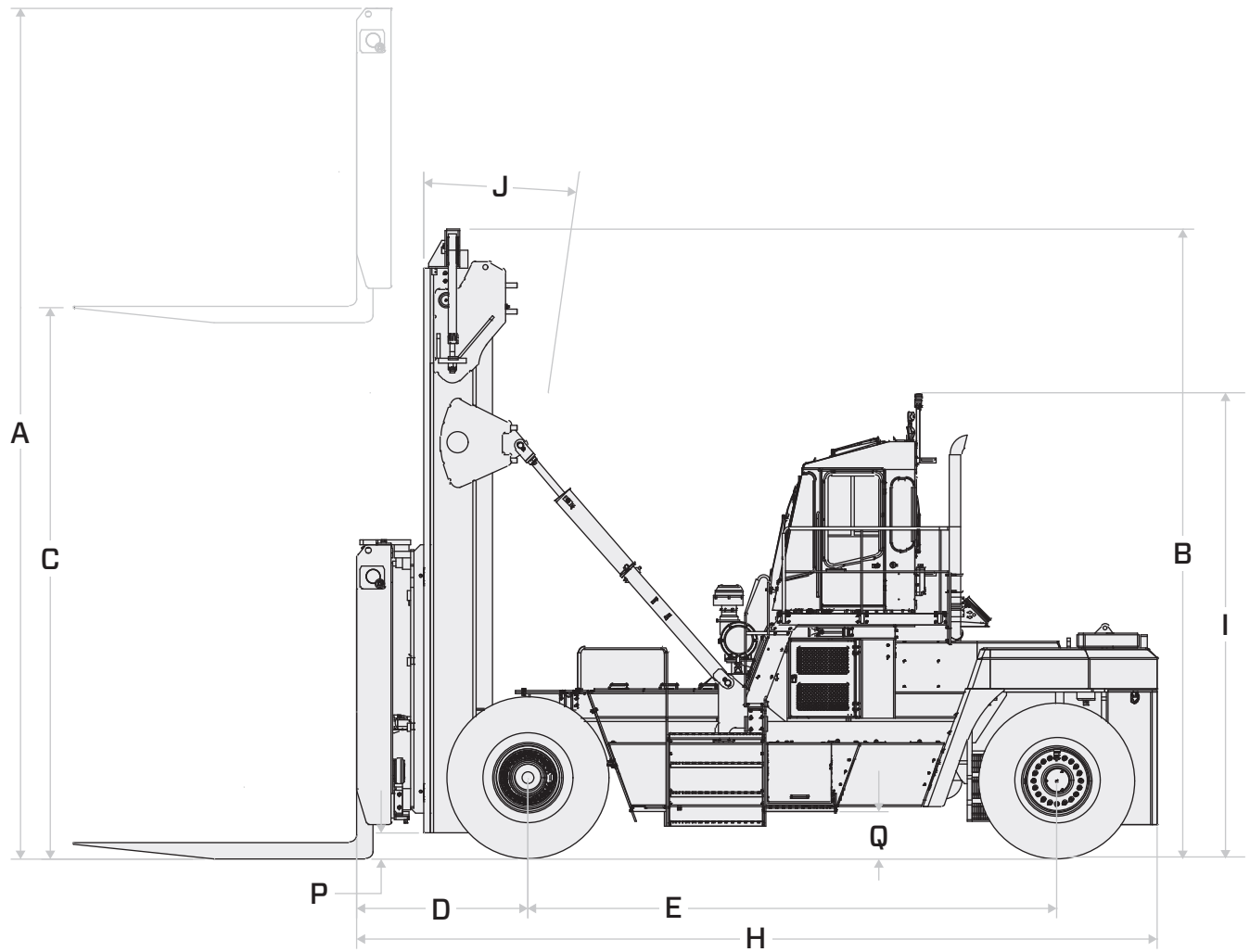
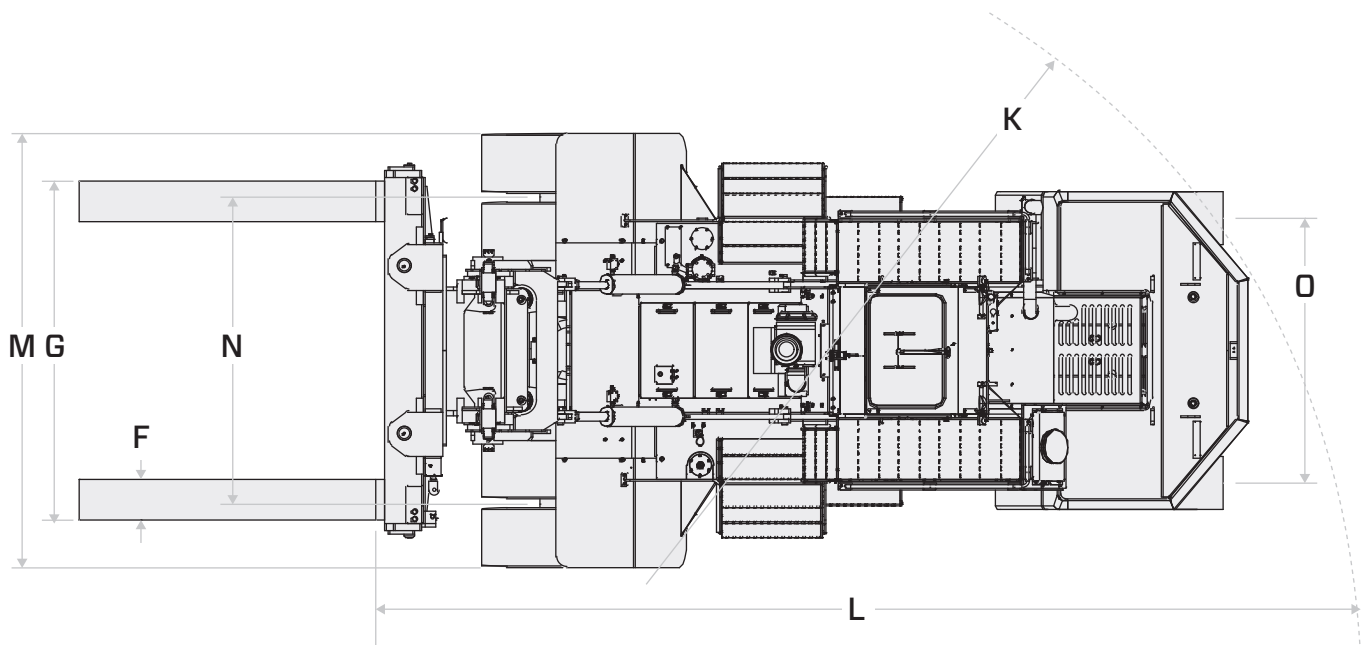
			THD9250S-48	THD10000-48	THD11000-48	THD12000-48	THD12500-48
Load Capacity	lb (kg)		92500 (41957)	100000 (45359)	110000 (49895)	120000 (54431)	125000 (56699)
Load Center	in (mm)		48 (1219)	48 (1219)	48 (1219)	48 (1219)	48 (1219)
Brakes (service foot / parking)			Caliper / Disc				
Transmission	Type	PowerShift - Autoshift					
	Speeds (fwd. / rev.)	mph	3 / 3				
Internal Combustion Engine	Make / Model	CUMMINS QSL9					
	Rated Horsepower @ rpm	SAE HP (kW)	380 @ 2100 (283 @ 2100)	380 @ 2100 (283 @ 2100)	380 @ 2100 (283 @ 2100)	380 @ 2100 (283 @ 2100)	380 @ 2100 (283 @ 2100)
	Rated Torque @ rpm	SAE ft-lb (N-m)	1201 @ 1500 (1628 @ 1500)	1201 @ 1500 (1628 @ 1500)	1201 @ 1500 (1628 @ 1500)	1201 @ 1500 (1628 @ 1500)	1201 @ 1500 (1628 @ 1500)
Battery	Voltage	V	12	12	12	12	12
EXTERIOR DIMENSIONS			THD9250S-48	THD10000-48	THD11000-48	THD12000-48	THD12500-48
A	Mast Extended Height	in (mm)	277 (7036)	277 (7036)	277 (7036)	277 (7036)	277 (7036)
B	Mast Lowered Height	in (mm)	201 (5105)	207 (5258)	207 (5258)	207 (5258)	207 (5258)
C	Maximum Fork Height (MFH) (top of forks)	in (mm)	158 (4013)	158 (4013)	158 (4013)	158 (4013)	158 (4013)
D	Load Distance ¹	in (mm)	50.25 (1276)	59 (1492)	59 (1492)	59 (1492)	59 (1492)
E	Wheelbase	in (mm)	190 (4826)	225 (5715)	225 (5715)	225 (5715)	225 (5715)
F	Fork Size (T x W x L)	in (mm)	6 (152) x 12 (305) x 96 (2438)	6 (152) x 12 (305) x 96 (2438)	6 (152) x 16 (406) x 96 (2438)	7.0 (178) X 16 (406) X 96 (2438.4)	7.0 (178) X 16 (406) X 96 (2438.4)
G	Fork Spread (outer edge to edge) (standard 12" forks) Maximum / Minimum	in (mm)	115.00 (2921) / TBD	115.00 (2921) / 55 (1397)	115.00 (2921) / 63 (1600)	133.50 (3391) / 67 (1702)	133.50 (3391) / 67 (1702)
H	Length to Fork Face	in (mm)	279 (7087)	327 (8299)	327 (8299)	327 (8299)	376.63 (9566)
I	Overhead Guard Clearance	in (mm)	—	—	—	—	—
J	Tilt Range (forward / backward)	deg	15 / 10	10 / 8	10 / 8	15 / 10	15 / 10
K	Outside Turning Radius	in (mm)	269 (6832)	305 (7752)	305 (7752)	382.50 (9716)	382.50 (9716)
L	Basic Right Angle Stacking Aisle Width ²	in (mm)	328 (8326)	364 (9244)	364 (9244)	441 (11206)	441.13 (11206)
M	Overall Width	in (mm)	165 (4191)	174 (4420)	174 (4420)	174 (4420)	174 (4420)
N	Tread Width	Front	in (mm)	120 (3048)	120 (3048)	120 (3048)	120 (3048)
		Rear	in (mm)	105 (2667)	105 (2667)	105 (2667)	105 (2667)
P	Underclearance (full load)	Minimum with Load	in (mm)	10 (254)	10 (254)	10 (254)	13.75 (349)
		Center of Wheelbase	in (mm)	14 (363)	14 (363)	14 (363)	14 (363)
Q							
FUEL CAPACITY			THD9250S-48	THD10000-48	THD11000-48	THD12000-48	THD12500-48
Fuel Tank	US gal		153 (579)	153 (579)	153 (579)	153 (579)	153 (579)
TRUCK WEIGHTS			THD9250S-48	THD10000-48	THD11000-48	THD12000-48	THD12500-48
Gross Weight (empty)	lb (kg)		145562 (66026)	144705 (65637)	150905 (68449)	157236 (71322)	159400 (72303)
Weight Distribution	Front - Full Load	lb (kg)	222470 (100912)	224345 (101761)	238508 (108185)	265604 (120477)	272284 (123506)
	Rear - Full Load	lb (kg)	15592 (7072)	20360 (9235)	22397 (10159)	11632 (5276)	12116 (5496)
	Front - No Load	lb (kg)	78000 (35380)	77678 (35234)	77175 (35006)	99074 (44940)	98818 (44823)
	Rear - No Load	lb (kg)	67562 (30646)	67027 (30403)	73730 (33443)	58162 (26382)	60582 (27480)
ATTACHMENT			THD9250S-48	THD10000-48	THD11000-48	THD12000-48	THD12500-48
Auxiliary Hydraulic Function (for attachments)	Max. Operating Pressure	psi (kg/cm ²) (MPa)	—	—	—	—	—
	Max Flow Rate	gpm	—	—	—	—	—
TIRES			THD9250S-48	THD10000-48	THD11000-48	THD12000-48	THD12500-48
Type (front / rear)		Pneumatic / Pneumatic					
Number	Front / Rear	4 / 2					
Size	Front		21 x 25 x 40PR	21 x 25 x 40PR	21 x 25 x 40PR	21 x 25 x 40PR	21 x 25 x 40PR
	Rear		21 x 25 x 40PR	21 x 25 x 40PR	21 x 25 x 40PR	21 x 25 x 40PR	21 x 25 x 40PR

1 Centerline of front axle to front face of forks.
2 Add load length & aisle clearance.

EXTERIOR DIMENSIONS



THD3000-3600S-24 | THD3600-3600S-36 | THD3600-7200-48 MODELS SHOWN ABOVE



THD8000-12500-48 SHOWN ABOVE



PRINCEDEAN

TOYOTA

WILU 200
OWL 264

TOYOTA

Hapan Joyo

MAST SPECIFICATIONS

MAST TYPE	MAXIMUM FORK HEIGHT (TOP OF FORKS)	OVERALL HEIGHT LOWERED	FREE-LIFT	TILT RANGE		LOAD CAPACITY AT			
				FWD	BWD	24 IN. (610 MM) LOAD CENTER 3" x 7" x 48" (STD.) FORKS	36 IN. (900 MM) LOAD CENTER 3.5" x 8" x 72" (OPT.) FORKS	48 IN. (1220 MM) LOAD CENTER 3.5" x 8" x 96" (OPT.) FORKS	60 IN. (1520 MM) LOAD CENTER 4" x 8" x 120" (OPT.) FORKS
				in (mm)	in (mm)	in (mm)	deg	deg	lb (kg)
THD3000-24									
Wide Visible (V)	144 (3655)	142 (3607)	0	10	8	30000 (13610)	25030 (11357)	21480 (9744)	18810 (8533)
	162 (4105)	151 (3835)	0	10	8	30000 (13610)	25030 (11357)	21480 (9744)	18810 (8533)
	180 (4575)	160 (4064)	0	10	8	30000 (13610)	25030 (11357)	21480 (9744)	18810 (8533)
	186 (4724)	163 (4140)	0	10	8	30000 (13610)	25030 (11357)	21480 (9744)	18810 (8533)
	204 (5182)	172 (4369)	0	10	8	30000 (13610)	25030 (11357)	21480 (9744)	18810 (8533)
	216 (5486)	178 (4521)	0	10	8	30000 (13610)	25030 (11357)	21480 (9744)	18810 (8533)
	256 (6502)	198 (5029)	0	10	8	30000 (13610)	25030 (11357)	21480 (9744)	18810 (8533)
300 (7620)	220 (5588)	0	10	8	30000 (13610)	25030 (11357)	21480 (9744)	18810 (8533)	
Full Free-Lift 2-Stage (FV)	123 (3124)	117 (2972)	43.5 (1105)	10	8	30000 (13610)	25030 (11357)	21480 (9744)	18810 (8533)
Full Free-Lift 3-Stage (FSV)	228 (5791)	143 (3632)	42 (1067)	10	8	30000 (13610)	25030 (11357)	21480 (9744)	18810 (8533)

MAST TYPE	MAXIMUM FORK HEIGHT (TOP OF FORKS)	OVERALL HEIGHT LOWERED	FREE-LIFT	TILT RANGE		LOAD CAPACITY AT			
				FWD	BWD	24 IN. (610 MM) LOAD CENTER 3" x 8" x 48" (STD.) FORKS	36 IN. (900 MM) LOAD CENTER 3.5" x 8" x 72" (OPT.) FORKS	48 IN. (1220 MM) LOAD CENTER 4" x 8" x 96" (OPT.) FORKS	60 IN. (1520 MM) LOAD CENTER 4" x 8" x 120" (OPT.) FORKS
				in (mm)	in (mm)	in (mm)	deg	deg	lb (kg)
THD3300-24									
Wide Visible (V)	144 (3655)	142 (3607)	0	10	8	33000 (14970)	27540 (12492)	23630 (10719)	20690 (9386)
	162 (4105)	151 (3835)	0	10	8	33000 (14970)	27540 (12492)	23630 (10719)	20690 (9386)
	180 (4575)	160 (4064)	0	10	8	33000 (14970)	27540 (12492)	23630 (10719)	20690 (9386)
	186 (4724)	163 (4140)	0	10	8	33000 (14970)	27540 (12492)	23630 (10719)	20690 (9386)
	204 (5182)	172 (4369)	0	10	8	33000 (14970)	27540 (12492)	23630 (10719)	20690 (9386)
	216 (5486)	178 (4521)	0	10	8	33000 (14970)	27540 (12492)	23630 (10719)	20690 (9386)
	256 (6502)	198 (5029)	0	10	8	33000 (14970)	27540 (12492)	23630 (10719)	20690 (9386)
300 (7620)	220 (5588)	0	10	8	33000 (14970)	27540 (12492)	23630 (10719)	20690 (9386)	
Full Free-Lift 2-Stage (FV)	123 (3124)	117 (2972)	43.5 (1105)	10	8	33000 (14970)	27540 (12492)	23630 (10719)	20690 (9386)
Full Free-Lift 3-Stage (FSV)	228 (5791)	143 (3632)	42 (1067)	10	8	33000 (14970)	27540 (12492)	23630 (10719)	20690 (9386)

MAST TYPE	MAXIMUM FORK HEIGHT (TOP OF FORKS)	OVERALL HEIGHT LOWERED	FREE-LIFT	TILT RANGE		LOAD CAPACITY AT			
				FWD	BWD	24 IN. (610 MM) LOAD CENTER 3" x 8" x 48" (STD.) FORKS	36 IN. (900 MM) LOAD CENTER 3.5" x 8" x 72" (OPT.) FORKS	48 IN. (1220 MM) LOAD CENTER 4" x 8" x 96" (OPT.) FORKS	60 IN. (1520 MM) LOAD CENTER 4" x 8" x 120" (OPT.) FORKS
				in (mm)	in (mm)	in (mm)	deg	deg	lb (kg)
THD3300S-24									
Wide Visible (V)	144 (3655)	142 (3607)	0	10	8	33000 (14970)	27540 (12492)	23630 (10719)	20690 (9386)
	162 (4105)	151 (3835)	0	10	8	33000 (14970)	27540 (12492)	23630 (10719)	20690 (9386)
	180 (4575)	160 (4064)	0	10	8	33000 (14970)	27540 (12492)	23630 (10719)	20690 (9386)
	186 (4724)	163 (4140)	0	10	8	33000 (14970)	27540 (12492)	23630 (10719)	20690 (9386)
	204 (5182)	172 (4369)	0	10	8	33000 (14970)	27540 (12492)	23630 (10719)	20690 (9386)
	216 (5486)	178 (4521)	0	10	8	33000 (14970)	27540 (12492)	23630 (10719)	20690 (9386)
	256 (6502)	198 (5029)	0	10	8	33000 (14970)	27540 (12492)	23630 (10719)	20690 (9386)
300 (7620)	220 (5588)	0	10	8	33000 (14970)	27540 (12492)	23630 (10719)	20690 (9386)	
Full Free-Lift 2-Stage (FV)	123 (3124)	117 (2972)	43.5 (1105)	10	8	33000 (14970)	27540 (12492)	23630 (10719)	20690 (9386)
Full Free-Lift 3-Stage (FSV)	228 (5791)	143 (3632)	42 (1067)	10	8	33000 (14970)	27540 (12492)	23630 (10719)	20690 (9386)

MAST SPECIFICATIONS

MAST TYPE	MAXIMUM FORK HEIGHT (TOP OF FORKS)	OVERALL HEIGHT LOWERED	FREE-LIFT	TILT RANGE		LOAD CAPACITY AT			
				FWD	BWD	24 IN. (610 MM) LOAD CENTER 3.5" x 8" x 48" (STD.) FORKS	36 IN. (900 MM) LOAD CENTER 3.5" x 8" x 72" (OPT.) FORKS	48 IN. (1220 MM) LOAD CENTER 4" x 8" x 96" (OPT.) FORKS	60 IN. (1520 MM) LOAD CENTER 4" x 8" x 120" (OPT.) FORKS
				in (mm)	in (mm)	in (mm)	deg	deg	lb (kg)
THD3600-24									
Wide Visible (V)	144 (3655)	142 (3607)	0	10	8	36000 (16330)	30040 (13625)	25780 (11694)	22570 (10241)
	162 (4105)	151 (3835)	0	10	8	36000 (16330)	30040 (13625)	25780 (11694)	22570 (10241)
	180 (4575)	160 (4064)	0	10	8	36000 (16330)	30040 (13625)	25780 (11694)	22570 (10241)
	186 (4724)	163 (4140)	0	10	8	36000 (16330)	30040 (13625)	25780 (11694)	22570 (10241)
	204 (5182)	172 (4369)	0	10	8	36000 (16330)	30040 (13625)	25780 (11694)	22570 (10241)
	216 (5486)	178 (4521)	0	10	8	36000 (16330)	30040 (13625)	25780 (11694)	22570 (10241)
	256 (6502)	198 (5029)	0	10	8	36000 (16330)	30040 (13625)	25780 (11694)	22570 (10241)
Full Free-Lift 2-Stage (FV)	300 (7620)	220 (5588)	0	10	8	36000 (16330)	30040 (13625)	25780 (11694)	22570 (10241)
Full Free-Lift 3-Stage (FSV)	123 (3124)	117 (2972)	43.5 (1105)	10	8	36000 (16330)	30040 (13625)	25780 (11694)	22570 (10241)
Full Free-Lift 3-Stage (FSV)	228 (5791)	143 (3632)	42 (1067)	10	8	36000 (16330)	30040 (13625)	25780 (11694)	22570 (10241)

MAST TYPE	MAXIMUM FORK HEIGHT (TOP OF FORKS)	OVERALL HEIGHT LOWERED	FREE-LIFT	TILT RANGE		LOAD CAPACITY AT			
				FWD	BWD	24 IN. (610 MM) LOAD CENTER 3.5" x 8" x 48" (STD.) FORKS	36 IN. (900 MM) LOAD CENTER 3.5" x 8" x 72" (OPT.) FORKS	48 IN. (1220 MM) LOAD CENTER 4" x 8" x 96" (OPT.) FORKS	60 IN. (1520 MM) LOAD CENTER 4" x 8" x 120" (OPT.) FORKS
				in (mm)	in (mm)	in (mm)	deg	deg	lb (kg)
THD3600S-24									
Wide Visible (V)	144 (3655)	142 (3607)	0	10	8	36000 (16330)	30040 (13625)	25780 (11694)	22570 (10241)
	162 (4105)	151 (3835)	0	10	8	36000 (16330)	30040 (13625)	25780 (11694)	22570 (10241)
	180 (4575)	160 (4064)	0	10	8	36000 (16330)	30040 (13625)	25780 (11694)	22570 (10241)
	186 (4724)	163 (4140)	0	10	8	36000 (16330)	30040 (13625)	25780 (11694)	22570 (10241)
	204 (5182)	172 (4369)	0	10	8	36000 (16330)	30040 (13625)	25780 (11694)	22570 (10241)
	216 (5486)	178 (4521)	0	10	8	36000 (16330)	30040 (13625)	25780 (11694)	22570 (10241)
	256 (6502)	198 (5029)	0	10	8	36000 (16330)	30040 (13625)	25780 (11694)	22570 (10241)
Full Free-Lift 2-Stage (FV)	300 (7620)	220 (5588)	0	10	8	36000 (16330)	30040 (13625)	25780 (11694)	22570 (10241)
Full Free-Lift 2-Stage (FV)	123 (3124)	117 (2972)	43.5 (1105)	10	8	36000 (16330)	30040 (13625)	25780 (11694)	22570 (10241)
Full Free-Lift 3-Stage (FSV)	228 (5791)	143 (3632)	42 (1067)	10	8	36000 (16330)	30040 (13625)	25780 (11694)	22570 (10241)

MAST TYPE	MAXIMUM FORK HEIGHT (TOP OF FORKS)	OVERALL HEIGHT LOWERED	FREE-LIFT	TILT RANGE		LOAD CAPACITY AT		
				FWD	BWD	36 IN. (900 MM) LOAD CENTER 4" x 8" x 72" (STD.) FORKS	48 IN. (1220 MM) LOAD CENTER 4" x 10" x 96" (OPT.) FORKS	60 IN. (1520 MM) LOAD CENTER 4" x 10" x 120" (OPT.) FORKS
				in (mm)	in (mm)	in (mm)	deg	deg
THD3600-36								
Wide Visible (V)	144 (3655)	142 (3607)	0	10	8	36000 (16330)	31170 (14141)	27490 (12471)
	162 (4105)	151 (3835)	0	10	8	36000 (16330)	31170 (14141)	27490 (12471)
	180 (4575)	160 (4064)	0	10	8	36000 (16330)	31170 (14141)	27490 (12471)
	186 (4724)	163 (4140)	0	10	8	36000 (16330)	31170 (14141)	27490 (12471)
	204 (5182)	172 (4369)	0	10	8	36000 (16330)	31170 (14141)	27490 (12471)
	216 (5486)	178 (4521)	0	10	8	36000 (16330)	31170 (14141)	27490 (12471)
	256 (6502)	198 (5029)	0	10	8	36000 (16330)	31170 (14141)	27490 (12471)
Full Free-Lift 2-Stage (FV)	300 (7620)	220 (5588)	0	10	8	36000 (16330)	31170 (14141)	27490 (12471)
Full Free-Lift 2-Stage (FV)	136 (3454)	128 (3251)	55.4 (1407)	10	8	36000 (16330)	31170 (14141)	27490 (12471)
Full Free-Lift 3-Stage (FSV)	201 (5105)	136 (3454)	24 (609)	10	8	36000 (16330)	31170 (14141)	27490 (12471)

MAST TYPE	MAXIMUM FORK HEIGHT (TOP OF FORKS)	OVERALL HEIGHT LOWERED	FREE- LIFT	TILT RANGE		LOAD CAPACITY AT		
				FWD	BWD	36 IN. (900 MM) LOAD CENTER 4" x 8" x 72" (STD.) FORKS	48 IN. (1220 MM) LOAD CENTER 4" x 10" x 96" (OPT.) FORKS	60 IN. (1520 MM) LOAD CENTER 4" x 10" x 120" (OPT.) FORKS
				in (mm)	in (mm)	in (mm)	deg	deg
THD3600S-36								
Wide Visible (V)	144 (3655)	142 (3607)	0	10	8	36000 (16330)	31170 (14141)	27490 (12471)
	162 (4105)	151 (3835)	0	10	8	36000 (16330)	31170 (14141)	27490 (12471)
	180 (4575)	160 (4064)	0	10	8	36000 (16330)	31170 (14141)	27490 (12471)
	186 (4724)	163 (4140)	0	10	8	36000 (16330)	31170 (14141)	27490 (12471)
	204 (5182)	172 (4369)	0	10	8	36000 (16330)	31170 (14141)	27490 (12471)
	216 (5486)	178 (4521)	0	10	8	36000 (16330)	31170 (14141)	27490 (12471)
	256 (6502)	198 (5029)	0	10	8	36000 (16330)	31170 (14141)	27490 (12471)
300 (7620)	220 (5588)	0	10	8	36000 (16330)	31170 (14141)	27490 (12471)	
Full Free-Lift 2-Stage (FV)	136 (3454)	128 (3251)	55.4 (1407)	10	8	36000 (16330)	31170 (14141)	27490 (12471)
Full Free-Lift 3-Stage (FSV)	201 (5105)	136 (3454)	24 (609)	10	8	36000 (16330)	31170 (14141)	27490 (12471)

MAST TYPE	MAXIMUM FORK HEIGHT (TOP OF FORKS)	OVERALL HEIGHT LOWERED	FREE- LIFT	TILT RANGE		LOAD CAPACITY AT	
				FWD	BWD	48 IN. (1220 MM) LOAD CENTER 4" x 10" x 96" (STD.) FORKS	60 IN. (1520 MM) LOAD CENTER 4.5" x 10" x 120" (OPT.) FORKS
				in (mm)	in (mm)	in (mm)	deg
THD3600-48							
Wide Visible (V)	120 (3048)	138 (3505)	0	10	8	36000 (16330)	31750 (14405)
	128 (3251)	142 (3607)	0	10	8	36000 (16330)	31750 (14405)
	144 (3655)	150 (3810)	0	10	8	36000 (16330)	31750 (14405)
	160 (4064)	158 (4013)	0	10	8	36000 (16330)	31750 (14405)
	172 (4369)	164 (4165)	0	10	8	36000 (16330)	31750 (14405)
	180 (4575)	168 (4267)	0	10	8	36000 (16330)	31750 (14405)
	184 (4673)	170 (4318)	0	10	8	36000 (16330)	31750 (14405)
216 (5486)	186 (4724)	0	10	8	36000 (16330)	31750 (14405)	
Full Free-Lift 2-Stage (FV)	136 (3454)	128 (3251)	55.4 (1407)	10	8	36000 (16330)	31750 (14405)

MAST TYPE	MAXIMUM FORK HEIGHT (TOP OF FORKS)	OVERALL HEIGHT LOWERED	FREE-LIFT	TILT RANGE		LOAD CAPACITY AT	
				FWD	BWD	48 IN. (1220 MM) LOAD CENTER 4.5" x 10" x 96" (STD.) FORKS	60 IN. (1520 MM) LOAD CENTER 4.5" x 10" x 120" (OPT.) FORKS
				in (mm)	in (mm)	in (mm)	deg
THD4000-48							
Wide Visible (V)	120 (3048)	138 (3505)	0	12	9	40000 (18143)	37495 (17007)
	128 (3251)	142 (3607)	0	12	9	40000 (18143)	37495 (17007)
	144 (3655)	150 (3810)	0	12	9	40000 (18143)	37495 (17007)
	160 (4064)	158 (4013)	0	12	9	40000 (18143)	37495 (17007)
	172 (4369)	164 (4165)	0	12	9	40000 (18143)	37495 (17007)
	180 (4575)	168 (4267)	0	12	9	40000 (18143)	37495 (17007)
	184 (4673)	170 (4318)	0	12	9	40000 (18143)	37495 (17007)
216 (5486)	186 (4724)	0	12	9	40000 (18143)	37495 (17007)	

MAST SPECIFICATIONS

MAST TYPE	MAXIMUM FORK HEIGHT (TOP OF FORKS)	OVERALL HEIGHT LOWERED	FREE-LIFT	TILT RANGE		LOAD CAPACITY AT	
				FWD	BWD	48 IN. (1220 MM) LOAD CENTER 4.5" x 10" x 96" (STD.) FORKS	60 IN. (1520 MM) LOAD CENTER 4.5" x 10" x 120" (OPT.) FORKS
				in (mm)	in (mm)	in (mm)	deg
THD4500-48							
Wide Visible (V)	144 (3655)	154 (3911)	0	12	9	45000 (20412)	40100 (18193)
	156 (3962)	160 (4064)	0	12	9	45000 (20412)	40100 (18193)
	180 (4572)	172 (4369)	0	12	9	45000 (20412)	40100 (18193)
	216 (5486)	190 (4826)	0	12	9	45000 (20412)	40100 (18193)
	324 (8229)	244 (6197)	0	12	9	45000 (20412)	40100 (18193)

MAST TYPE	MAXIMUM FORK HEIGHT (TOP OF FORKS)	OVERALL HEIGHT LOWERED	FREE-LIFT	TILT RANGE		LOAD CAPACITY AT	
				FWD	BWD	48 IN. (1220 MM) LOAD CENTER 4.5" x 10" x 96" (STD.) FORKS	60 IN. (1520 MM) LOAD CENTER 4.5" x 10" x 120" (OPT.) FORKS
				in (mm)	in (mm)	in (mm)	deg
THD4500S-48							
Wide Visible (V)	144 (3655)	154 (3911)	0	12	9	45000 (20412)	40100 (18193)
	156 (3962)	160 (4064)	0	12	9	45000 (20412)	40100 (18193)
	180 (4572)	172 (4369)	0	12	9	45000 (20412)	40100 (18193)
	216 (5486)	190 (4826)	0	12	9	45000 (20412)	40100 (18193)
	324 (8229)	244 (6197)	0	12	9	45000 (20412)	40100 (18193)

MAST TYPE	MAXIMUM FORK HEIGHT (TOP OF FORKS)	OVERALL HEIGHT LOWERED	FREE-LIFT	TILT RANGE		LOAD CAPACITY AT	
				FWD	BWD	48 IN. (1220 MM) LOAD CENTER 4.5" x 12" x 96" (STD.) FORKS	60 IN. (1520 MM) LOAD CENTER 4.5" x 12" x 120" (OPT.) FORKS
				in (mm)	in (mm)	in (mm)	deg
THD5000-48							
Wide Visible (V)	144 (3655)	154 (3911)	0	12	9	50000 (22680)	44565 (20214)
	156 (3962)	160 (4064)	0	12	9	50000 (22680)	44565 (20214)
	180 (4572)	172 (4369)	0	12	9	50000 (22680)	44565 (20214)
	216 (5486)	190 (4826)	0	12	9	50000 (22680)	44565 (20214)
	324 (8229)	244 (6197)	0	12	9	50000 (22680)	44565 (20214)

MAST TYPE	MAXIMUM FORK HEIGHT (TOP OF FORKS)	OVERALL HEIGHT LOWERED	FREE-LIFT	TILT RANGE		LOAD CAPACITY AT	
				FWD	BWD	48 IN. (1220 MM) LOAD CENTER 4.5" x 12" x 96" (STD.) FORKS	60 IN. (1520 MM) LOAD CENTER 5" x 12" x 120" (OPT.) FORKS
				in (mm)	in (mm)	in (mm)	deg
THD5200-48							
Wide Visible (V)	144 (3655)	154 (3911)	0	12	9	52000 (23587)	46340 (21023)
	156 (3962)	160 (4064)	0	12	9	52000 (23587)	46340 (21023)
	180 (4572)	172 (4369)	0	12	9	52000 (23587)	46340 (21023)
	216 (5486)	190 (4826)	0	12	9	52000 (23587)	46340 (21023)
	324 (8229)	244 (6197)	0	12	9	52000 (23587)	46340 (21023)

MAST TYPE	MAXIMUM FORK HEIGHT (TOP OF FORKS)	OVERALL HEIGHT LOWERED	FREE-LIFT	TILT RANGE		LOAD CAPACITY AT	
				FWD	BWD	48 IN. (1220 MM) LOAD CENTER 4.5" x 12" x 96" (STD.) FORKS	60 IN. (1520 MM) LOAD CENTER 5" x 12" x 120" (OPT.) FORKS
				in (mm)	in (mm)	in (mm)	deg
THD5500-48							
Wide Visible (V)	144 (3655)	154 (3911)	0	12	9	55000 (24948)	49020 (22236)
	156 (3962)	160 (4064)	0	12	9	55000 (24948)	49020 (22236)
	180 (4572)	172 (4369)	0	12	9	55000 (24948)	49020 (22236)
	216 (5486)	190 (4826)	0	12	9	55000 (24948)	49020 (22236)
	324 (8229)	244 (6197)	0	12	9	55000 (24948)	49020 (22236)

MAST TYPE	MAXIMUM FORK HEIGHT (TOP OF FORKS)	OVERALL HEIGHT LOWERED	FREE-LIFT	TILT RANGE		LOAD CAPACITY AT	
				FWD	BWD	48 IN. (1220 MM) LOAD CENTER 5" x 12" x 96" (STD.) FORKS	60 IN. (1520 MM) LOAD CENTER 5" x 12" x 120" (OPT.) FORKS
				in (mm)	in (mm)	in (mm)	deg
THD6000-48							
Wide Visible (V)	144 (3655)	154 (3911)	0	12	9	60000 (27216)	53470 (24257)
	156 (3962)	160 (4064)	0	12	9	60000 (27216)	53470 (24257)
	180 (4572)	172 (4369)	0	12	9	60000 (27216)	53470 (24257)
	216 (5486)	190 (4826)	0	12	9	60000 (27216)	53470 (24257)
	324 (8229)	244 (6197)	0	12	9	60000 (27216)	53470 (24257)

MAST TYPE	MAXIMUM FORK HEIGHT (TOP OF FORKS)	OVERALL HEIGHT LOWERED	FREE-LIFT	TILT RANGE		LOAD CAPACITY AT	
				FWD	BWD	48 IN. (1220 MM) LOAD CENTER 5" x 12" x 96" (STD.) FORKS	60 IN. (1520 MM) LOAD CENTER 5.5" x 12" x 120" (OPT.) FORKS
				in (mm)	in (mm)	in (mm)	deg
THD6500-48							
Wide Visible (V)	144 (3655)	154 (3911)	0	12	9	65000 (29483)	57930 (26279)
	156 (3962)	160 (4064)	0	12	9	65000 (29483)	57930 (26279)
	180 (4572)	172 (4369)	0	12	9	65000 (29483)	57930 (26279)
	216 (5486)	190 (4826)	0	12	9	65000 (29483)	57930 (26279)
	324 (8229)	244 (6197)	0	12	9	65000 (29483)	57930 (26279)

MAST TYPE	MAXIMUM FORK HEIGHT (TOP OF FORKS)	OVERALL HEIGHT LOWERED	FREE-LIFT	TILT RANGE		LOAD CAPACITY AT	
				FWD	BWD	48 IN. (1220 MM) LOAD CENTER 5.5" x 12" x 96" (STD.) FORKS	60 IN. (1520 MM) LOAD CENTER 5.5" x 12" x 120" (OPT.) FORKS
				in (mm)	in (mm)	in (mm)	deg
THD7000-48							
Wide Visible (V)	144 (3655)	164 (4165)	0	12	9	70000 (31751)	62390 (28300)
	184 (4673)	184 (4673)	0	12	9	70000 (31751)	62390 (28300)
	216 (5486)	200 (5080)	0	12	9	70000 (31751)	62390 (28300)

MAST TYPE	MAXIMUM FORK HEIGHT (TOP OF FORKS)	OVERALL HEIGHT LOWERED	FREE-LIFT	TILT RANGE		LOAD CAPACITY AT	
				FWD	BWD	48 IN. (1220 MM) LOAD CENTER 5.5" x 12" x 96" (STD.) FORKS	60 IN. (1520 MM) LOAD CENTER 5.5" x 12" x 120" (OPT.) FORKS
				in (mm)	in (mm)	in (mm)	deg
THD7200-48							
Wide Visible (V)	144 (3655)	164 (4165)	0	12	9	72000 (32659)	64170 (29108)
	184 (4673)	184 (4673)	0	12	9	72000 (32659)	64170 (29108)
	216 (5486)	200 (5080)	0	12	9	72000 (32659)	64170 (29108)

MAST TYPE	MAXIMUM FORK HEIGHT (TOP OF FORKS)	OVERALL HEIGHT LOWERED	FREE-LIFT	TILT RANGE		LOAD CAPACITY AT			
				FWD	BWD	48 IN. (1220 MM) LOAD CENTER 5.5" x 12" x 96" (STD.) FORKS	48 IN. (1220 MM) LOAD CENTER 6.0" x 12" x 96" (OPT.) FORKS	48 IN. (1220 MM) LOAD CENTER 6.0" x 16" x 96" (OPT.) FORKS	48 IN. (1220 MM) LOAD CENTER 7.0" x 16" x 96" (OPT.) FORKS
				in (mm)	in (mm)	in (mm)	deg	deg	lb (kg)
THD8000-48									
Wide Visible (V)	132 (33530)	157 (3988)	0	15	10	80000 (36287)	80000 (36287)	80000 (36287)	80000 (36287)
	167 (4242)	191 (4851)	0	15	10	80000 (36287)	80000 (36287)	80000 (36287)	80000 (36287)
	195 (4953)	205 (5207)	0	15	10	80000 (36287)	80000 (36287)	80000 (36287)	80000 (36287)
	244 (6198)	230 (5842)	0	15	10	80000 (36287)	80000 (36287)	80000 (36287)	80000 (36287)

MAST SPECIFICATIONS

MAST TYPE	MAXIMUM FORK HEIGHT (TOP OF FORKS)	OVERALL HEIGHT LOWERED	FREE-LIFT	TILT RANGE		LOAD CAPACITY AT			
				FWD	BWD	48 IN. (1220 MM) LOAD CENTER 5.5" x 12" x 96" (STD.) FORKS	48 IN. (1220 MM) LOAD CENTER 6.0" x 12" x 96" (OPT.) FORKS	48 IN. (1220 MM) LOAD CENTER 6.0" x 16" x 96" (OPT.) FORKS	48 IN. (1220 MM) LOAD CENTER 7.0" x 16" x 96" (OPT.) FORKS
				deg	deg	lb (kg)	lb (kg)	lb (kg)	lb (kg)
THD8000S-48									
Wide Visible (V)	132 (33530)	157 (3988)	0	15	10	80000 (36287)	80000 (36287)	80000 (36287)	80000 (36287)
	167 (4242)	191 (4851)	0	15	10	80000 (36287)	80000 (36287)	80000 (36287)	80000 (36287)
	195 (4953)	205 (5207)	0	15	10	80000 (36287)	80000 (36287)	80000 (36287)	80000 (36287)
	244 (6198)	230 (5842)	0	15	10	80000 (36287)	80000 (36287)	80000 (36287)	80000 (36287)

MAST TYPE	MAXIMUM FORK HEIGHT (TOP OF FORKS)	OVERALL HEIGHT LOWERED	FREE-LIFT	TILT RANGE		LOAD CAPACITY AT		
				FWD	BWD	48 IN. (1220 MM) LOAD CENTER 6.0" x 12" x 96" (STD.) FORKS	48 IN. (1220 MM) LOAD CENTER 6.0" x 16" x 96" (OPT.) FORKS	48 IN. (1220 MM) LOAD CENTER 7.0" x 16" x 96" (OPT.) FORKS
				deg	deg	lb (kg)	lb (kg)	lb (kg)
THD9250-48								
Wide Visible (V)	158 (4013)	201 (5105)	0	15	10	92500 (41957)	92500 (41957)	92500 (41957)
	290 (7366)	267 (6782)	0	15	10	92500 (41957)	92500 (41957)	92500 (41957)
	504 (12801)	376 (9550)	0	15	10	92500 (41957)	92500 (41957)	92500 (41957)

MAST TYPE	MAXIMUM FORK HEIGHT (TOP OF FORKS)	OVERALL HEIGHT LOWERED	FREE-LIFT	TILT RANGE		LOAD CAPACITY AT		
				FWD	BWD	48 IN. (1220 MM) LOAD CENTER 6.0" x 12" x 96" (STD.) FORKS	48 IN. (1220 MM) LOAD CENTER 6.0" x 16" x 96" (OPT.) FORKS	48 IN. (1220 MM) LOAD CENTER 7.0" x 16" x 96" (OPT.) FORKS
				deg	deg	lb (kg)	lb (kg)	lb (kg)
THD9250S-48								
Wide Visible (V)	158 (4013)	201 (5105)	0	15	10	92500 (41957)	92500 (41957)	92500 (41957)
	290 (7366)	267 (6782)	0	15	10	92500 (41957)	92500 (41957)	92500 (41957)
	504 (12801)	376 (9550)	0	15	10	92500 (41957)	92500 (41957)	92500 (41957)

MAST TYPE	MAXIMUM FORK HEIGHT (TOP OF FORKS)	OVERALL HEIGHT LOWERED	FREE-LIFT	TILT RANGE		LOAD CAPACITY AT		
				FWD	BWD	48 IN. (1220 MM) LOAD CENTER 6.0" x 12" x 96" (STD.) FORKS	48 IN. (1220 MM) LOAD CENTER 6.0" x 16" x 96" (OPT.) FORKS	48 IN. (1220 MM) LOAD CENTER 7.0" x 16" x 96" (OPT.) FORKS
				deg	deg	lb (kg)	lb (kg)	lb (kg)
THD10000-48								
Wide Visible (V)	158 (4013)	207 (5258)	0	10	8	100000 (45359)	100000 (45359)	100000 (45359)
	228 (5791)	242 (6147)	0	10	8	100000 (45359)	100000 (45359)	100000 (45359)

MAST TYPE	MAXIMUM FORK HEIGHT (TOP OF FORKS)	OVERALL HEIGHT LOWERED	FREE-LIFT	TILT RANGE		LOAD CAPACITY AT	
				FWD	BWD	48 IN. (1220 MM) LOAD CENTER 6.0" x 16" x 96" (STD.) FORKS	48 IN. (1220 MM) LOAD CENTER 7.0" x 16" x 96" (OPT.) FORKS
				deg	deg	lb (kg)	lb (kg)
THD11000-48							
Wide Visible (V)	158 (4013)	207 (5258)	0	10	8	110000 (49895)	110000 (49895)
	228 (5791)	242 (6147)	0	10	8	110000 (49895)	110000 (49895)
	504 (12801)	376 (9550)	0	10	8	110000 (49895)	110000 (49895)

MAST TYPE	MAXIMUM FORK HEIGHT (TOP OF FORKS)	OVERALL HEIGHT LOWERED	FREE-LIFT	TILT RANGE		LOAD CAPACITY AT		
				FWD	BWD	48 IN. (1220 MM) LOAD CENTER 7.0" x 16" x 96" (STD.) FORKS	48 IN. (1220 MM) LOAD CENTER 7.0" x 16" x 108" (OPT.) FORKS	48 IN. (1220 MM) LOAD CENTER 7.0" x 16" x 120" (OPT.) FORKS
				deg	deg	lb (kg)	lb (kg)	lb (kg)
THD12000-48								
Wide Visible (V)	158 (4013)	207 (5258)	0	10	8	120000 (54431)	120000 (54431)	120000 (54431)
	228 (5791)	242 (6147)	0	10	8	120000 (54431)	120000 (54431)	120000 (54431)
	504 (12801)	376 (9550)	0	10	8	120000 (54431)	120000 (54431)	120000 (54431)

MAST TYPE	MAXIMUM FORK HEIGHT (TOP OF FORKS)	OVERALL HEIGHT LOWERED	FREE-LIFT	TILT RANGE		LOAD CAPACITY AT		
				FWD	BWD	48 IN (1200MM) LOAD CENTER 7.0" X 16" X 96" (STD.) FORKS	48 IN (1200MM) LOAD CENTER 7.0" X 16" X 108" (OPT.) FORKS	48 IN (1200MM) LOAD CENTER 7.0" X 16" X 120" (OPT.) FORKS
				deg	deg	lb (kg)	lb (kg)	lb (kg)
THD12500-48								
Wide Visible (V)	158 (4013)	207 (5258)	0	10	8	125000 (56699)	125000 (56699)	125000 (56699)
	228 (5791)	242 (6147)	0	10	8	125000 (56699)	125000 (56699)	125000 (56699)
	504 (12801)	376 (9550)	0	10	8	125000 (56699)	125000 (56699)	125000 (56699)



TOYOTA

OTA

TOYOTA
FORKLIFT
MFG. CO.



Some product features described herein are optional. Please consult your dealer for specifications. Details of specifications and equipment are based on information available at time of printing and may change without notice.

