

SR1054

ROUGH TERRAIN TELEHANDLER



- Full-time 4-wheel drive
- Fully enclosed cab
- Power assisted steering
- Proportional joystick
- Simple to operate & maintain

 **snorkel**™
www.snorkellifts.com

ROUGH TERRAIN TELEHANDLER

SR1054

CAPABILITIES SR1054

Max. lift capacity	4,535kg
Max. lift height (A)	16.4m
Max. forward reach	12.6m

DIMENSIONS

Overall width (B)	2.3m
Stowed height (C)	2.56m
Length to fork face (D)*	6.6m
Wheelbase	2.95m
Ground clearance	350mm

PERFORMANCE

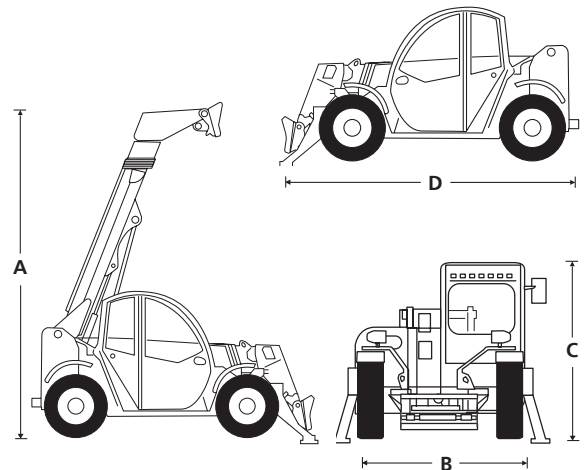
Max. drive speed	30km/h
Raise/lower time	16/10.8 sec
Frame levelling	11°
Hydraulic flow (per minute)	120L
Hydraulic pressure	230bar
Hydraulic oil capacity	150L
Fuel capacity	120L
Outside turning radius	4.2m
Tires	445/65 - 22.5"

POWER

Power source	Deutz 55.4kW Stage V/Tier 4 Final diesel
--------------	--

WEIGHT

Weight	12,180kg
--------	----------



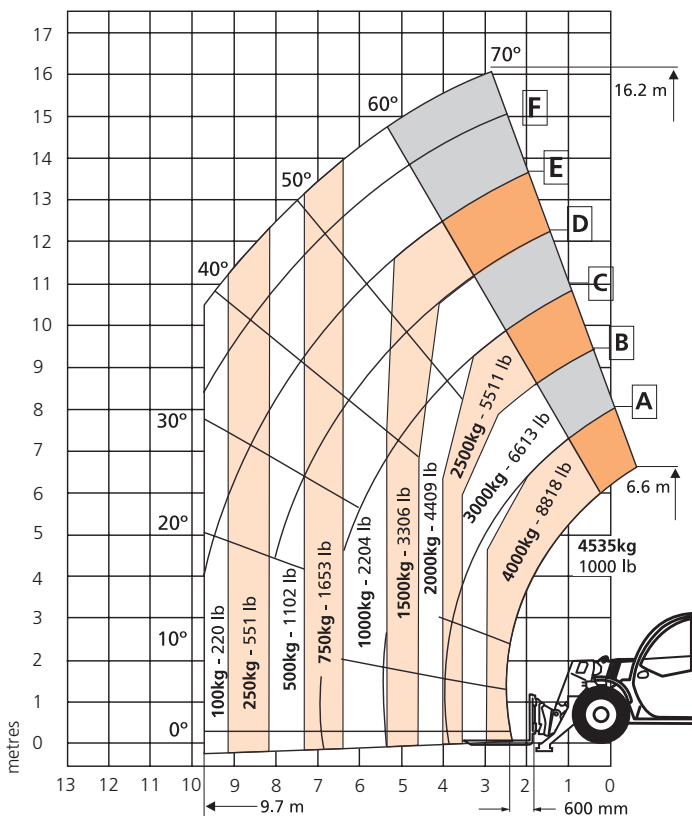
STANDARD FEATURES

- Enclosed cab with air conditioning & heat
- Window wipers
- Running lights
- Manual pintle hitch
- Backup alarm
- PEB electrical boom socket
- Constant front hydraulic flow
- Heater plug
- B class carriage adapter
- Hydraulic attachment quick disconnect
- LED front and rear work lights
- Boom work lights (2)
- Axle mounted outriggers
- 2 year parts & labor, 5 year structural warranty
- ANSI compliant

OPTIONS

- Special paint colors
- Multiple options for carriages, tires, fork tines and attachments
- Snorkel OnSite™ telematics

LOAD CHART



snorkel

P.O. Box 1160
 St. Joseph, MO 64502-1160, USA
 Tel: 1 (785) 989-3000
 Toll-free: 1 (800) 255-0317
 Fax: 1 (785) 989-3070
 Email: sales.usa@snorkellifts.com

www.snorkellifts.com