

SR1331

ROUGH TERRAIN TELEHANDLER



- Full-time 4-wheel drive
- Fully enclosed cab
- Power assisted steering
- Proportional joystick
- Simple to operate & maintain

 **snorkel**[™]

www.snorkellifts.com

ROUGH TERRAIN TELEHANDLER

SR1331

CAPABILITIES SR1331*

Max. lift capacity	13,000 lbs
Max. lift height (A)	31 ft 2 in
Max. forward reach	17 ft 8 in

DIMENSIONS

Overall width (B)	7 ft 7 in
Stowed height (C)	8 ft 5 in
Length to fork face (D)**	21 ft 2 in
Wheelbase	9 ft 7 in
Ground clearance	16 in

PERFORMANCE

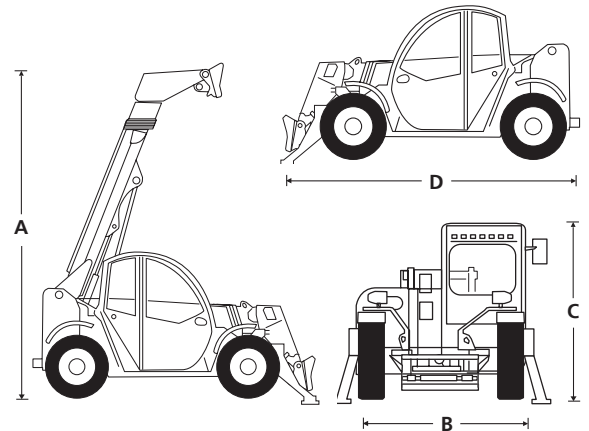
Max. drive speed	25 mph
Raise/lower time	20/14 sec
Frame leveling	10°
Hydraulic flow (per minute)	26 gal
Hydraulic pressure	3,336 psi
Hydraulic oil capacity	40 gal
Fuel capacity	21 gal
Outside turning radius	14 ft 9in
Tires	445/65 22.5"

POWER

Power source	Deutz TCD 3.6L Tier 4 Final diesel 100hp
--------------	--

WEIGHT

Weight	24,450 lbs
--------	------------



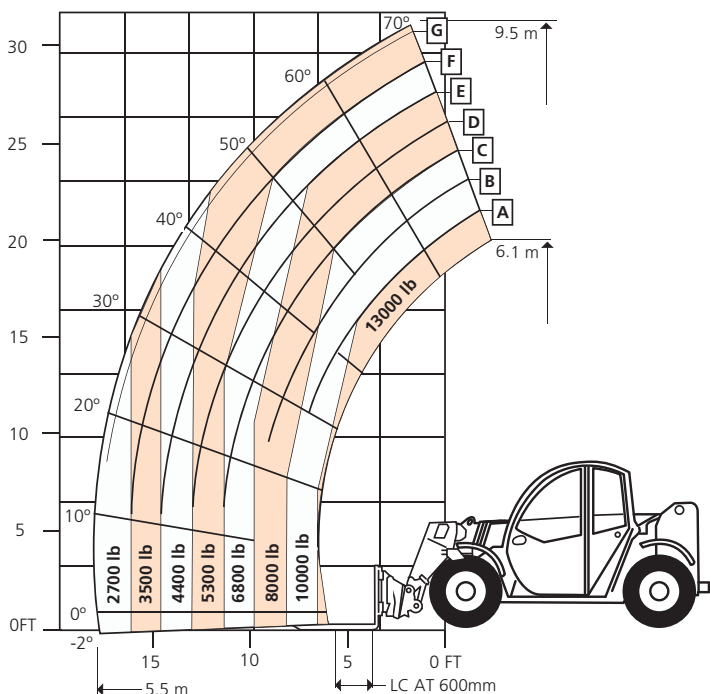
STANDARD FEATURES

- Enclosed cab with heat & air conditioning
- Front and rear LED work lights
- Window wipers
- Running lights
- Manual pintle hitch
- Backup alarm
- LED work lights on boom (2)
- PEB electrical boom socket
- Constant front hydraulic flow
- Heater plug
- B class carriage adapter
- Hydraulic attachment quick disconnect
- Axle mounted outriggers
- 2 year parts & labor, 5 year structural warranty
- ANSI compliant

OPTIONS

- Special paint colors
- Multiple options for carriages, tires and fork tines
- Snorkel OnSite™ telematics

LOAD CHART



snorkel www.snorkellifts.com

P.O. Box 1160
 St. Joseph, MO 64502-1160, USA
 Tel: 1 (785) 989-3000
 Toll-free: 1 (800) 255-0317
 Fax: 1 (785) 989-3070
 Email: sales.usa@snorkellifts.com